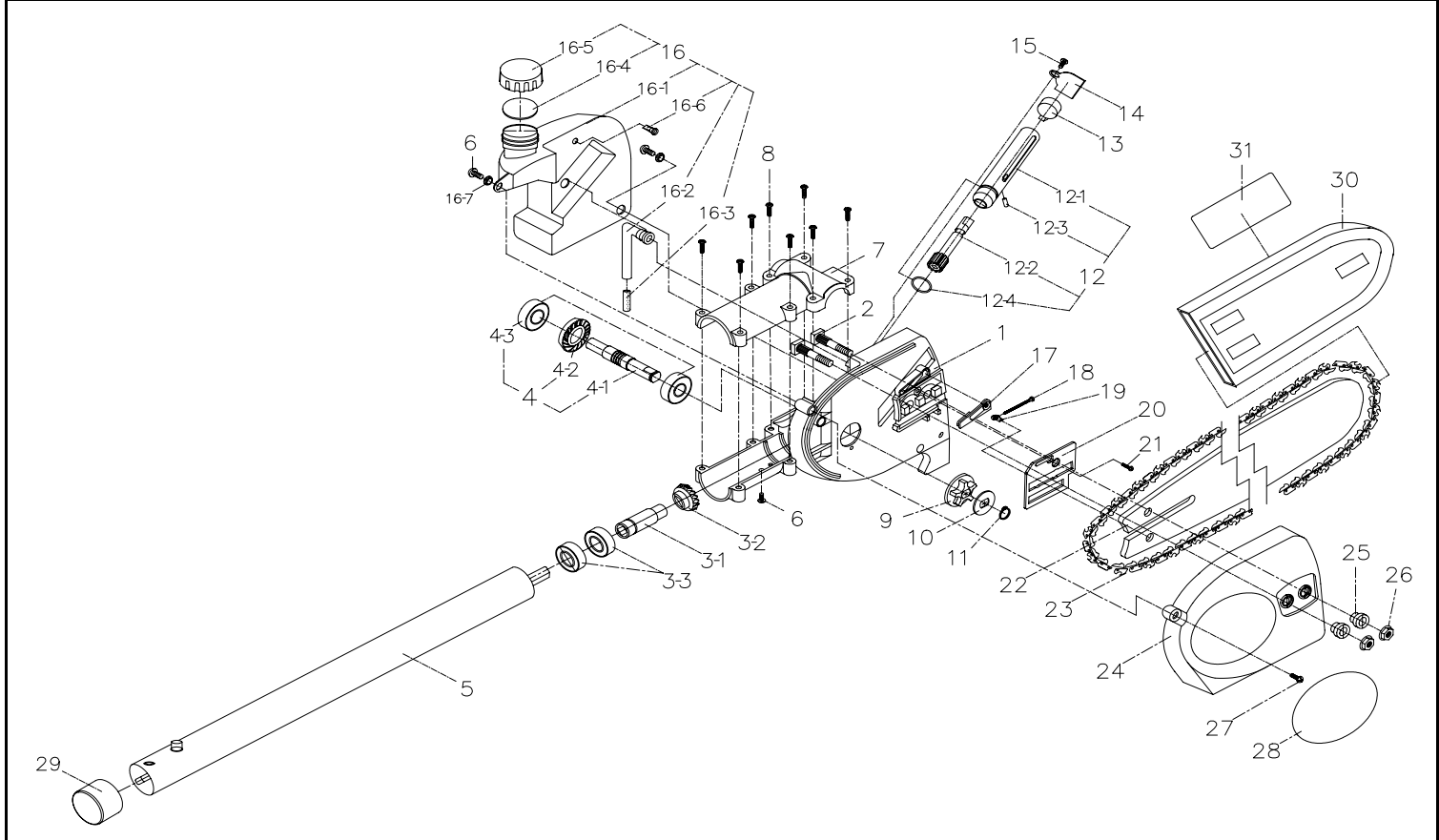




SERVICE SPARE PARTS LIST

SPECIFY MODEL NO. WHEN ORDERING PARTS		DATE	REVISED DATE
Attachment of Pole Saw		5/7/2007	
MODEL NO.	MC107		N/A



No.	STK CODE	Parts No.	Description	Q	No.	STK CODE	Parts No.	Description	Q
1		9217-A10701	GEAR BOX	1	15		6SDAZJ03-08	SCREW	1
2		9191-A10701	SCREW	2	16		9228-A10705	OILER ASS'Y	1
3		9228-A10702	SHAFT ASS'Y	1	16-1		9066-A10701	OILER	1
3-1		9110-A10702	SHAFT	1	16-2		9142-A10701	OILY-TONGUED	1
3-2		9073-A10704	SPIRAL BEVEL GEAR (L)	1	16-3		9182-A10701	FILTER	1
3-3		6DB-600004	BALL BEARING	2	16-4		9012-A10701	RUBBER GASKET	1
4		9228-A10703	SPINDLE ASS'Y	1	16-5		6017-211103	OILER CAP	1
4-1		9110-A10701	SPINDLE	1	16-6		9070-310002	VINT CORK	1
4-2		9073-A10702	SPIRAL BEVEL GEAR (B)	1	16-7		9131-A10702	RING	1
4-3		6DB-600004	BALL BEARING	2	17		9014-A10702	ANTI-SPILLAGE PAD	2
5		9228-A10701	CONNECTION STICK ASS'Y	1	18		6214-210801	REGULATION SCREW	1
6		6SDAN-05-08	SCREW	3	19		6056-210802	REGULATION CAP	1
7		9217-A10702	CASE COVER	1	20		6102-210801	ADJUSTING PLATE	1
8		6SDAC-05-20	SCREW	8	21		6SVABB3.5-12	SCREW	1
9		9073-A10701	SPROCKET	1	22		6040-210017	BAR 8"	1
10		9014-A10701	WASHER	1	23		6220-210806	SAW CHAIN	1
11		6CC-10	C RING	1	24		9017-A10701	GUARD	1
12		9228-A10704	OIL PUMP ASS'Y	1	25		9131-A10701	FIXED RING	2
12-1		9297-A10701	OIL PUMP	1	26		6NHZ-1/4	NUT	2
12-2		9073-A10703	GEAR	1	27		6SDAC-05-10	SCREW	1
12-3		6PC03-5.3	PIN	1	28		9097-A10702	BRAND	1
12-4		9076-A10701	O RING	1	29		9105-330301	COVERING	1
13		9013-A10701	RUBBER CORK	1	30		9101-A10701	GUARD	1
14		9043-A10701	FIXED PLATE	1	31		9097-A107XX	BRAND	1

Stocking Codes are:

A - Dealer stocked

B - Distributor stocked

C - Factory stocked