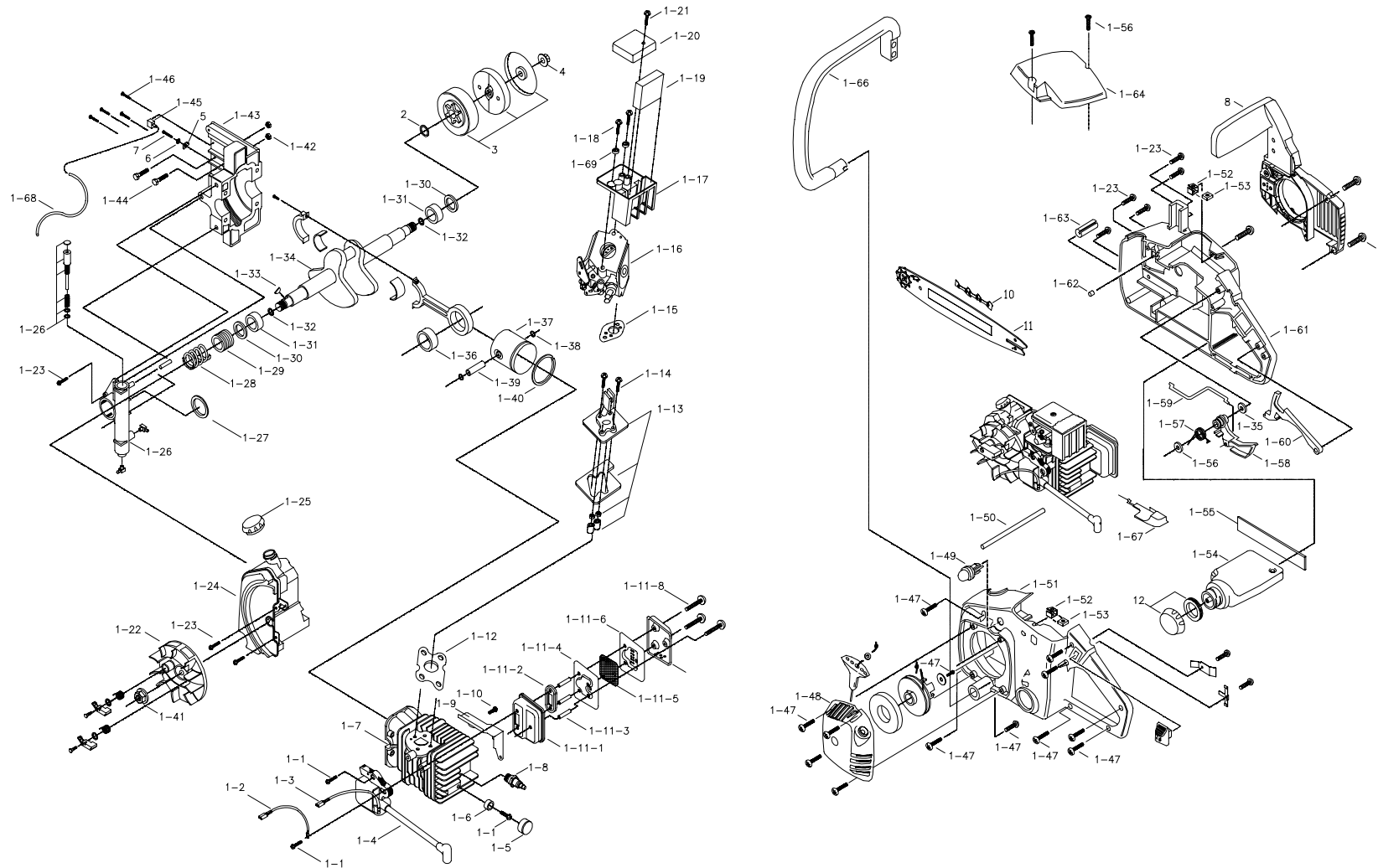




SERVICE SPARE PARTS LIST

SPECIFY MODEL NO. WHEN ORDERING PARTS	
16" Gas Chain Saw	
MODEL NO.	MS1635NAV

DATE	REVISED DATE	PAGE
2003/4/30	N/A	1/2





SERVICE SPARE PARTS LIST

SPECIFY MODEL NO. WHEN ORDERING PARTS		DATE	REVISED DATE	PAGE
16" Gas Chain Saw		2003/4/30	N/A	2/2
MODEL NO.	MS1635NAV			

No.	STK CODE	JFT Parts No.	Description	Q	No.	STK CODE	JFT Parts No.	Description	Q	No.	STK CODE	JFT Parts No.	Description	Q
1		9238-310006-B0	ENGINE ASS'Y	1	1-23		9SKKBY10/24-0.62	SCREW	9	1-54		9228-310002	OIL TANK ASS'Y	1
1-1		9SKKBY10/24-0.75	SCREW	4	1-24		9228-310035	FUEL TANK ASS'Y	1	1-55		9014-310004	SPACER, OIL TANK	1
1-2		9010-310103	WIRE, GROUND	1	1-25		9228-310120	CAP, FUEL ASS'Y	1	1-56		9076-310001	O RING	1
1-3		9010-310104	WIRE, STOP SWITCH	1	1-26		9228-310106	OIL PUMP ASS'U	1	1-57		9024-310003	SPRING	1
1-4		9288-310001-CH	IGNITION ASS'Y	1	1-27		9252-310003	SEAL	1	1-58		9022-310001	TRIGGER, THROTTLE	1
1-5		9017-310005	COVER, CYLINDER	1	1-28		9024-310004	SPRING	1	1-59		9114-310003	ROD, THROTTLE	1
1-6		9131-310001	COVER, SPACER	1	1-29		9073-310001	WORM GEAR	1	1-60		9028-310001	LATCH, THROTTLE	1
1-7		9064-310004F	CYLINDER	1	1-30		9157-310101	SEAL, C'SHAFT OIL	1	1-61		9038-310002	HOUSING, RIGHT	1
1-8		9111-310002-CH	SPARK PLUG	1	1-31		9DB-SCH87	BEARING	1	1-62		9252-310002	FILTER, FOAM	1
1-9		9082-310101	BAFFLE, AIR	1	1-32		9WFB-14.2-25.3	WASHER	2	1-63		9PA06-27	PIN	1
1-10		9SGKBY10/24-0.625	SCREW	1	1-33		9221-310001	KEY, FLYWHEEL	1	1-64		9067-310001	COVER, AIR FILTER	1
1-11		9228-310112A	MUFFLER ASS'Y	1	1-34		9200-310001	CRANKSHAFT ASS'Y	1	1-65		9214-310101	SCREW	2
1-11-1		9067-310101F	COVER, MUFFLER	1	1-35		9WFZ-10	WASHER	1	1-66		9068-310001F	HANDLE	1
1-11-2		9043-310101F	PLATE, REINFORCING	1	1-36		9155-310002	BEARING	1	1-67		9114-310001	SLIDE, CHOKE	1
1-11-3		9PA-7.4-28.5	SPACER, MUFFLER	1	1-37		9290-310004	PISTON	1	1-68		9129-310004	HOSE	1
1-11-4		9207-310101F	BAFFLE, OUTER	1	1-38		9CB-08-0.6	RING	1	1-69		9124-310208	SPACER	2
1-11-5		9104-310101	BAFFLER, INNER MUFFLER	1	1-39		9PA-9.51-29.67	PIN	1	2		6014-633501	WASHER	1
1-11-6		9207-310102F	SCREEN, SPARK ARRESTER	1	1-40		9291-310001	PISTON RING	1	3		9228-310113F	DRUM ASS'Y	1
1-11-7		9067-310102F	COVER, MUFFLER	1	1-41		9NAB-5/16-24	NUT	1	4		9NHC-5/16-24	NUT	1
1-11-8		9SKKBY10/24-1.75	SCREW	1	1-42		9NHC-1/4	NUT	1	5		9035-310101	NUT	1
1-12		9082-310001	GASKET, INSULATOR	1	1-43		9072-310002F	CLY	1	6		9043-310002	RING, RETAINING	1
1-13		9228-310007	INSULATOR ASS'Y	1	1-44		9214-310001	SCREW, BAR	2	7		9191-310001	SCREW	1
1-14		9SKKBY10/24-1	SCREW	2	1-45		9142-310001	BOLT	1	8		9228-310004	BRAKE KIT ASS'Y	1
1-15		9014-310006	GASKET	1	1-46		9SFEB-12/24-1	SCREW	4	9		9SKKBY-8/16-1	SCREW	1
1-16		9287-310002	CARBURETOR	1	1-47		9SKKBY8/16-0.75	SCREW	11	10		6220-210816	CHAIN	1
1-17		9081-310001	BOX, AIR FILTER	1	1-48		9228-310003	STARTOR HOUSING ASS'Y	1	11		9040-310013	BAR	1
1-18		9SKKBY10/24-2	SCREW	2	1-49		9142-310002	PRIMER	1	12		9228-310116	OIL CAP ASS'Y	1
1-19		9252-310004	FILTER, AIR	1	1-50		9129-310002	HOSE	1					
1-20		9017-310004	SHIELD, CARBURTER	1	1-51		9038-310001F	ENGINE HOUSING	1					
1-21		9SGKBY10/14-0.625	SCREW	1	1-52		9014-310001	RETAINER, NUT	2					
1-22		9228-310110	FLYWHEEL ASS'Y	1	1-53		9NDC-10/24	NUT	2					

Stocking Codes are:

A - Dealer stocked

B - Distributor stocked

C - Factory stocked