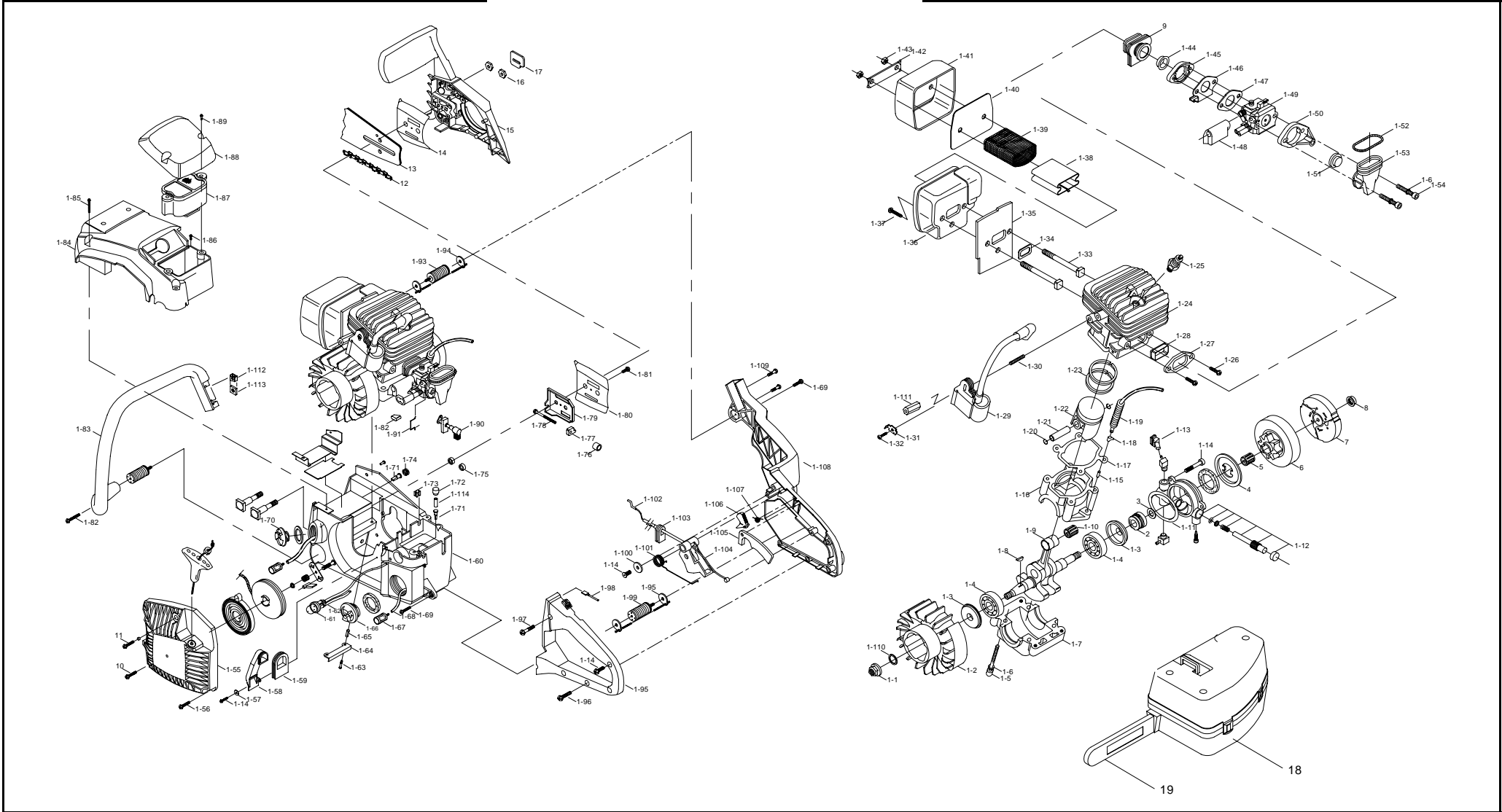




# SERVICE SPARE PARTS LIST

SPECIFY MODEL NO. WHEN ORDERING PARTS		DATE	REVISED DATE	PAGE
18" 46cc Gas Chain Saw		2003/4/30	N/A	1/2
MODEL NO.	MS1846AVCC			





## SERVICE SPARE PARTS LIST

<b>SPECIFY MODEL NO. WHEN ORDERING PARTS</b>		<b>DATE</b>	<b>REVISED DATE</b>	<b>PAGE</b>
<b>18" 46cc Gas Chain Saw</b>		<b>2003/4/30</b>	<b>N/A</b>	<b>2/2</b>
<b>MODEL NO.</b>	<b>MS1846AVCC</b>			

No.	Parts No.	Description	Q	No.	Parts No.	Description	Q	No.	Parts No.	Description	Q	No.	Parts No.	Description	Q
1	9238-3102Y1-CH	POWERHEAD ASS'Y	1	1-34	9014-310208	WASHER	1	1-67	9182-310001	FILTER, FUEL	1	1-101	9024-310206	SPRING	1
1-1	9NAB-5/16-24	NUT	1	1-35	9082-310201	BAFFLER	1	1-68	9129-310004	HOSE	1	1-102	9010-310201	CABLE	1
1-2	9169-310201	FLYWHEEL	1	1-36	9228-3102Y4	MUFFLER BODY ASS'Y	1	1-69	9SKKZY10/14-01	SCREW	2	1-103	9124-310209	GROMMET	1
1-3	9157-310201	SEAL	2	1-37	9SKKBY10/24-0.5	SCREW	1	1-70	9228-310207	CAP, OIL	1	1-104	9028-310202	TRIGGER	1
1-4	9DB-620201	BEARING	2	1-38	9211-310201	PLATE	1	1-71	9070-310002	VALVE DUCKBILL	2	1-105	9028-310201	RELEASE TRIGGER	1
1-5	9SRB-10/24-2.75	SCREW	4	1-39	9183-310201	SCREEN	1	1-72	9129-310209	HOSE	1	1-106	9072-310203	LATCH, HIGH IDLE	1
1-6	9WFB-0.2	WASHER	6	1-40	9082-310205	BAFFLER	1	1-73	9013-310201	PLUG	1	1-107	9024-310207	SPRING	1
1-7	9072-3102Y1	CRANKCASE LOWER	1	1-41	9017-310204	COVER, MUFFLER	1	1-74	9252-310002	FILTER	1	1-108	9068-310203	FRAME, REAR	1
1-8	9221-310001	KEY	1	1-42	9158-310201	LOCKPLATE	1	1-75	9131-310206	WASHER	2	1-109	9SGKBY10/24-0.5	SCREW	2
1-9	9228-310203F	C'SHAFT/C'ROD ASS'Y	1	1-43	9NAC-10/24	NUT	2	1-76	9059-310204	ISOLATOR	1	1-110	9WOC-08	WASHER	1
1-10	9155-310201	BEARING	2	1-44	9131-310203	EYELET	1	1-77	9035-310201	NUT	1	1-111	9124-310205	SPACER	1
1-11	9076-310201	O RING	1	1-45	9014-310204	FLANGE	1	1-78	9214-310201	SCREW	1	1-112	9014-310001	RETAINER, NUT	4
1-12	9228-310208	PUMP ASS'Y	1	1-46	9102-310202	PLATE	1	1-79	9043-310203	PLATE, BAR	1	1-113	9NDB-04	NUT	4
1-13	9154-310201	CONNECTOR	1	1-47	9014-310202	GASKET	1	1-80	9043-310202	PLATE, FLANGE	1	1-114	6182-210101	FILTER	1
1-14	9SKKBY8/16-0.5	SCREW	6	1-48	9124-310203	BOOT	1	1-81	9SKKBY6/19-0.375	SCREW	1	2	9073-310201	GEAR, WORM	1
1-15	9124-310201	FITTING, PULSE LINE	1	1-49	9287-310201	CARB	1	1-82	9SJKB-12/14-1.5	SCREW	1	3	9WFN-0.4	WASHER	2
1-16	9072-3102Y2	CRANKCASE UPPER	1	1-50	9014-310201	FLANGE	1	1-83	9228-310231	HANDLE ASS'Y	1	4	9WDZ-0.722	WASHER	1
1-17	9014-3102Y1	GASKET	1	1-51	9131-310204	EYELET	1	1-84	9228-310216	COVER ASS'Y	1	5	9155-310203	BEARING	1
1-18	9036-310201	CLAMP, WIRE HOSE	1	1-52	9024-310202	SPRING	1	1-85	9SKKBY10/14-02	SCREW	2	6	9228-310211	DRUM SPRKT ASS'Y	1
1-19	9059-310201	CONDUIT, FLEX	1	1-53	9124-310204	BOOT	1	1-86	9SKKBY10/14-0.68	SCREW	1	7	9228-310210	CLUTCH ASS'Y	1
1-20	9CA-0.46	RING	2	1-54	9SRB-10/24-1.625	SCREW	2	1-87	9228-310204	AIR CLEANER ASS'Y	1	8	9NHC-09	NUT	1
1-21	9PC-10-32.5	PIN	1	1-55	9228-310212	STARTER ASS'Y	1	1-88	9067-310202	COVER	1	9	9124-310202	BOOT, CARB	1
1-22	9290-3102Y1	PISTON	1	1-56	9SKKBY10/14-0.625	SCREW	2	1-89	9214-310101	SCREW	2	10	9SKKBY10/14-0.625	SCREW	1
1-23	9189-3102Y1	RING, PISTON	2	1-57	9WFZ-0.18	WASHER	1	1-90	9228-310226	CHOKE ASS'Y	1	11	9SKKBY10/24-0.5	SCREW	1
1-24	9292-3102Y1	CYLINDER	1	1-58	9182-310201	PRECLEANER ASS'Y	1	1-91	9114-310202	ROD, CHOKE	1	12	9220-310202	CHAIN 72EB	1
1-25	9295-320001	SPARK PLUG	1	1-59	9012-310201	BOOT, INTAKE	1	1-92	9013-310202	PLUG	1	13	9040-310205	BAR	1
1-26	9SKKBY10/24-0.62	SCREW	2	1-60	9228-310205	FUEL/OIL TANK ASS'Y	1	1-93	9228-310213	ISOLATOR ASS'Y	1	14	9082-310204	PLATE	1
1-27	9014-310203	FLANGE	1	1-60-1	9182-310001	FILTER, OIL	1	1-94	9228-310214	CABLE ASS'Y	2	15	9228-310215	CHAIN BRAKE ASS'Y	1
1-28	9131-310202	EYELET	1	1-61	9142-310002	PRIMER, REMOTE	1	1-95	9228-310232	COVER ASS'Y, HANDLE	1	16	9NAZ-5/16-18	NUT	2
1-29	9288-310201-CH	IGNITION ASS'Y	1	1-62	9129-310212	HOSE	1	1-96	9SKKBY8/16-0.625	SCREW	3	17	9072-310206	PLATE	1
1-30	9191-310201	STUD	1	1-63	9SKKBY10/24-1	SCREW	4	1-97	9SKKBY-8/16-1	SCREW	1	18	9120-310201	CARRY CASE	1
1-31	9051-310202	CONTACT, CROUNT	1	1-64	9043-310201	PLATE	2	1-98	9010-310203	WIRE	1	19	9017-310213	SCABBARD	1
1-32	9SKKBY10/24-0.75	SCREW	1	1-65	9124-310206	SPACE	4	1-99	9228-310222	ISOLATOR ASS'Y	1				
1-33	9STDZY10/24-2.79	SCREW	2	1-66	9228-310206	CAP, FUEL	1	1-100	9WFB-4.9-17	WASHER	1				

REVISION	DATE
	Jun-02

# Gas Chain Saw

## MS1846AVCC

### ENGINE

46cc, 2-Cycle Engine

### Electronic Ignition

For reliable starts in all conditions

### Chrome-Plated Cylinder

For longer engine life

### SAW CAPABILITIES

#### 18" Bar Length

Cuts logs up to 36" in diameter

#### Automatic Oiler

Provides consistent lubrication to bar and chain while the saw is running

#### Sprocket Tip Bar

Increases the RPM of the chain and decreases bar wear

### Standard Chain Brake/Hand Guard

Immediately stops the chain when the user's hand contacts the chain brake lever in the event of kickback; for added safety and protection.

### Inertia Chain Brake

Immediately stops the chain when the saw encounters inertia produced by kickback

### OTHER FEATURES

#### Carry Case Included

Protects saw in transit, as well as eliminates oil drip while in storage

#### Anti-Vibration Handle

Reduced vibration decreases user fatigue.

**McCULLOCH**



**Carry Case Included**



18" Gas Chain Saw  
Model: 41BY86AR777  
UPC: 0 19516 88416 5

**1-Year Limited Warranty**