

**ED 280**

11400128-16

**MD 320 A/V**

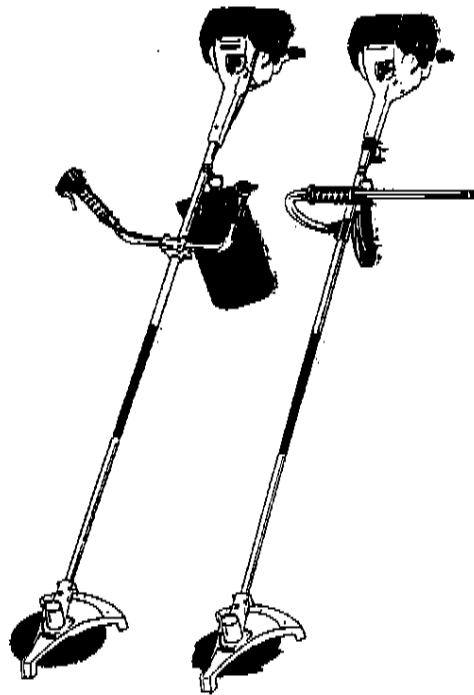
11400132-18

**MD 328 A/V**

11400132-24

**MD 330 A/V/D**

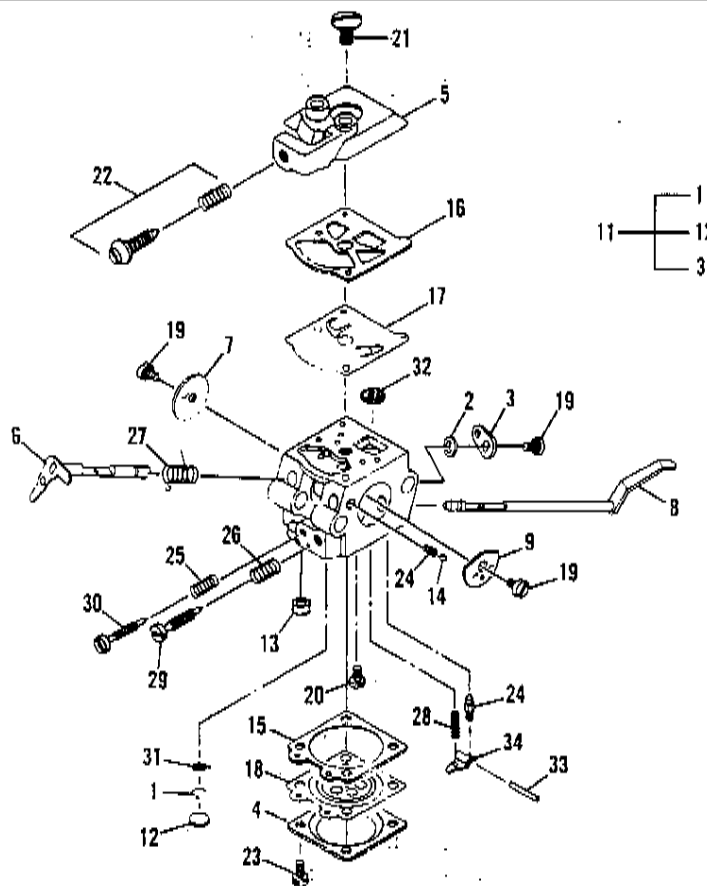
11400132-20



**McCULLOCH  
CORPORATION**

**JUNE 1992**

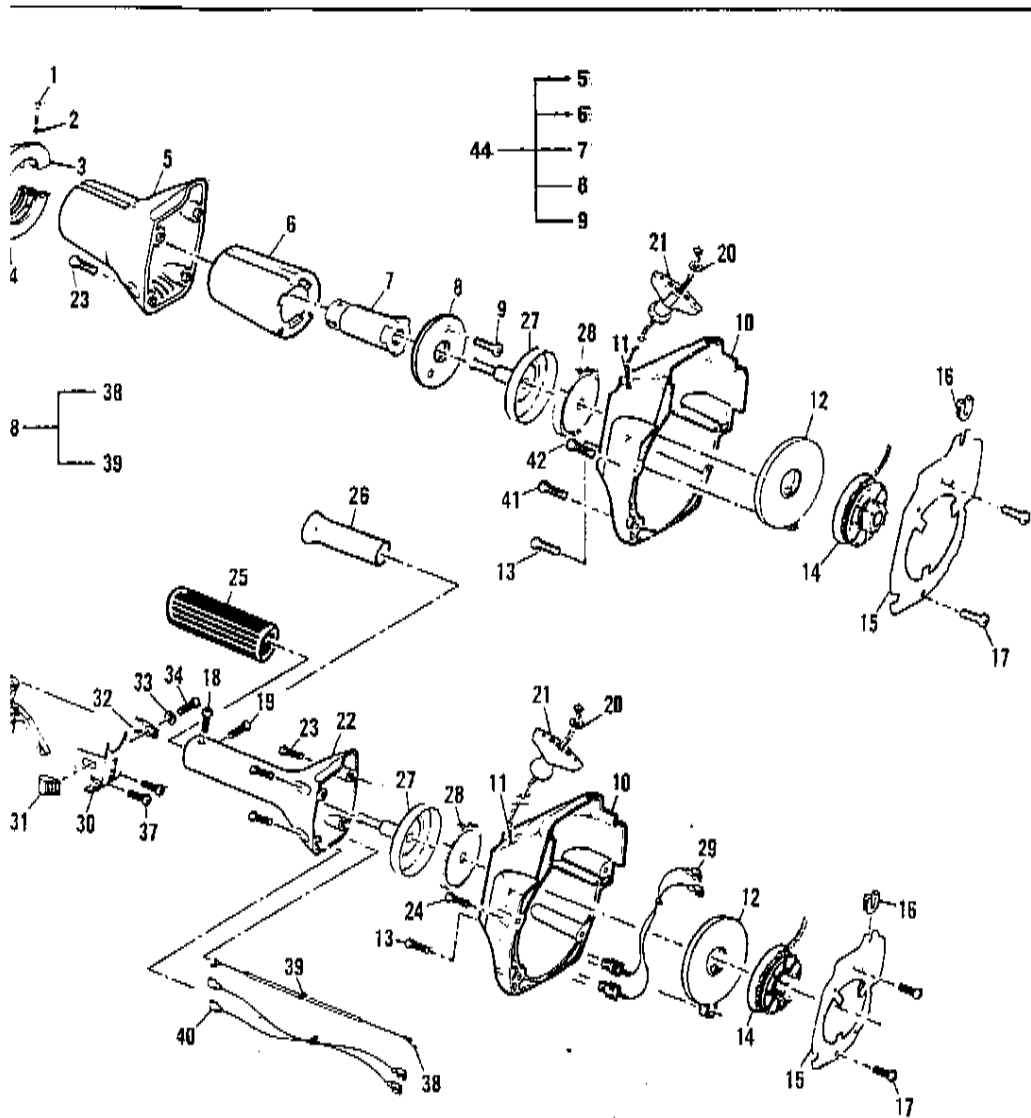
© U.S.A. - McCulloch Corporation, 1992 • Printed in U.S.A.



224033-02 WT-231A

1	Ⓚ	1
2		1
3		1
4		1
5		1
6		1
7		1
8		1
9		1
10		1
11	Ⓚ	1
12	Ⓚ	1
13		1
14		1
15	Ⓚ	1
16	Ⓚ	1
17	Ⓚ	1
18	Ⓚ	1
19	Ⓚ	3
20	Ⓚ	1
21		1
22		1
23	Ⓚ	4
24		1
25	Ⓚ	1
26		1
27	Ⓚ	1
28	Ⓚ	1
29	Ⓚ	1
30	Ⓚ	1
31	Ⓚ	1
32	Ⓚ	1
33	Ⓚ	1
34	Ⓚ	1
Ⓚ 300457		Ⓚ 224460

\* 538 36 02 - 03



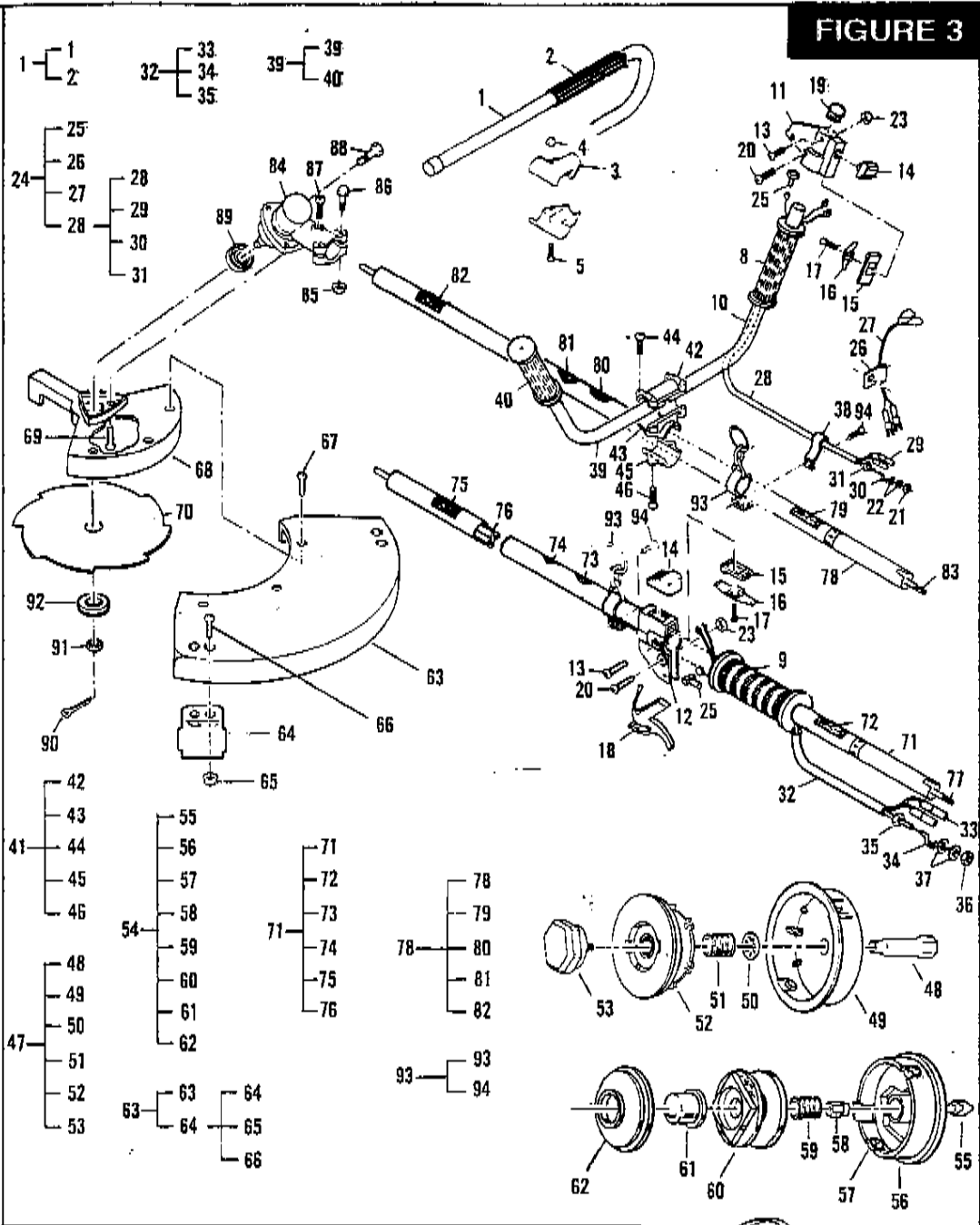
16	215533-01	1	32	. 224246	1	①	11400128-16	ED 280
17	223357	2	33	. 105497	1			
18	① 111070	1	34	. 111069	1			
19	① 223200	1	35	① 224205	1	②	11400132-18	MD 320 A/V
20	218941	1	36	300361	1		11400132-20	MD 330 A/V/D
21	216792	1	37	① 111061	2		11400132-24	MD 328 A/V
22	① 300312	1	38	① 300372	1			
23	224919	4	39	. 111074	1			
24	① 111054	1	40	224204	1			
25	① 322140	1	41	② 111053	3			
26	① 322234	1	42	② 111060	1			
27	224045	1	44	② 224912	1			
28	300459	1						
29	① 300369	1						
30	① 300064	1						
31	. 224245	1						



CORPORATION - Via Como, 72 22049 Valmadrera (Como) Italy  
 VA

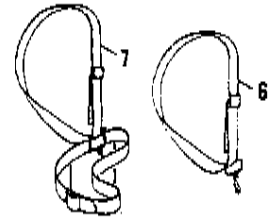
**FIGURE 3**

1	ⓐ	300541	1
2		. 322139	1
3	ⓑ	217292	2
4	ⓐ	218315	2
5	ⓐ	217935	2
6	ⓐ	236762	1
7	ⓐ	236677	1
8	ⓐ	215322	1
9	ⓐ	216518	1
10	ⓐ	216868	1
11	ⓐ	222794	1
12	ⓐ	222795	1
13	ⓐ	223200	1
14	ⓐ	68846	1
15	ⓐ	215319	1
16	ⓐ	215320	1
17	ⓐ	110706	1
18	ⓐ	300361	1
19	ⓐ	218328	1
20	ⓐ	216027	1
21	ⓐ	217403	1
22	ⓐ	216596	2
23	ⓐ	217159	1
24	ⓐ	300673	1
25		. 215323	1
26		. 322291	1
27		. 300679	1
28		. 300681	1
29		. 300680	1
30		. 322273	1
31		. 217403	1
32	ⓐ	300682	1
33		. 300683	1
34		. 322272	1
35		. 217403	1
36	ⓐ	217403	1
37	ⓐ	216596	2
38	ⓐ	216788	1
39	ⓐ	216868	1
40		. 94212	1
41	ⓐ	217974	1
42		.....	1
43		.....	1
44		. 216782	4
45		.....	1
46		. 216781	2
47		<del>300078</del>	1
48		. 322106	1
49		. 300091	1
50		. 111073	1
51		. 225206	1
52		. 300690	1
53		. 300737	1
54		.....	1
55		. 224901	1
56		. 224902	1
57		. 219759	2
58		. 219760	1
59		. 218907	1
60		. 224903	1
61		. 224904	1
62		. 224905	1
63		300318	1
64		. 300628	1
65		. 216682	2
66		. 217935	2
67		224175	3
68		224177-01	1
69		217935	3
70		.....	1
71	ⓐ	300419	1
72		. 219030	1
73		. 223407	1
74		. 211214	1
75		. 211215	1



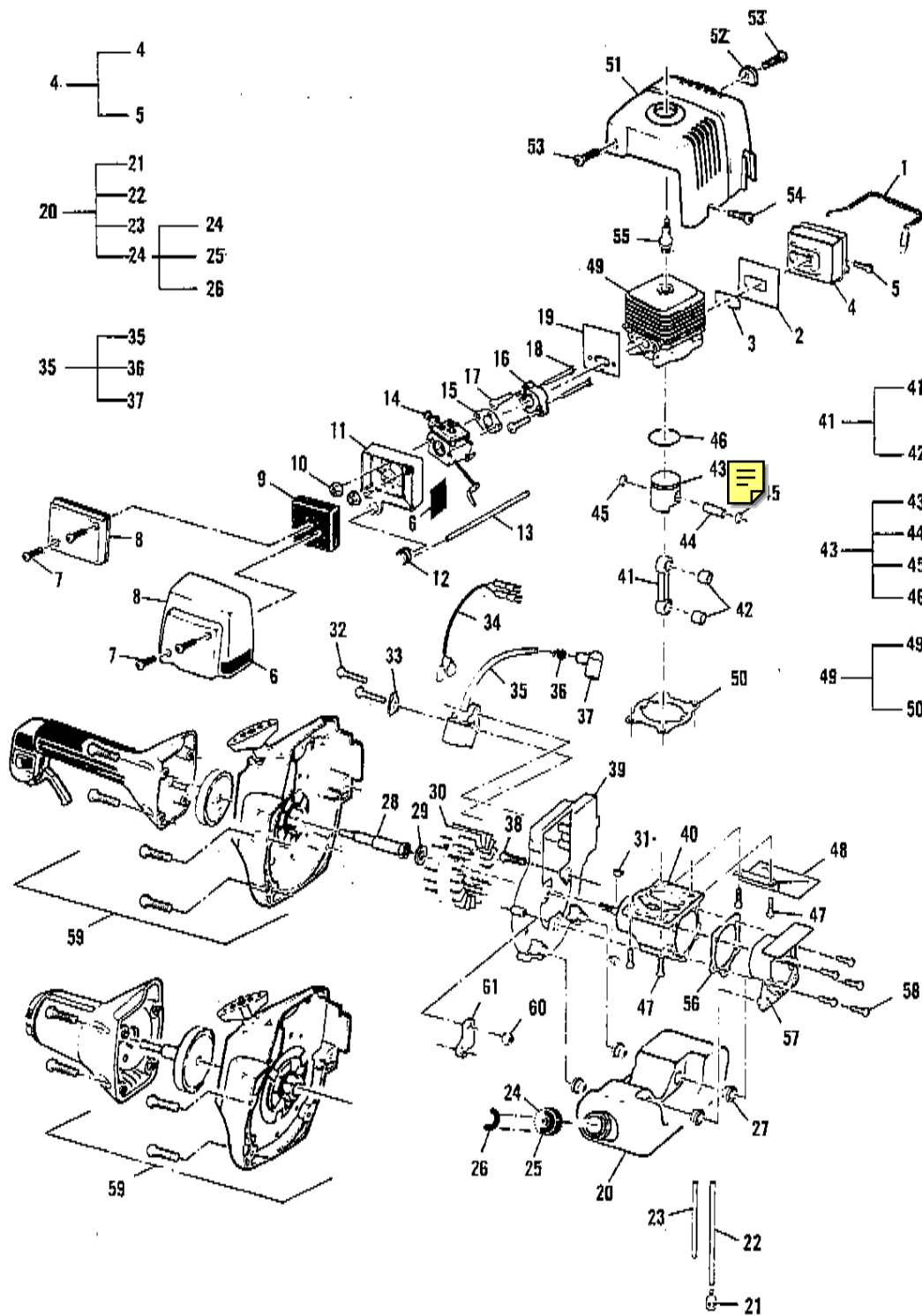
76		. 224090	1
77	ⓐ	224091	1
78	ⓐ	300432	1
79		. 219030	1
80		. 223407	1
81		. 211214	1
82		. 211215	1
83	ⓐ	217752	1
84		224181-01	1
85		217159	2
86		216828	2
87		216795	1
88		216832	1
89		225053	1
90		218159	1
91		216751	1
92		218075	1
93		218002	1
94		.....	1

ⓐ	11400128-16	ED 280
	11400132-18	MD 320 A/V
ⓑ	11400132-24	MD 328 A/V
	11400132-20	MD 330 A/V/D
ⓒ	11400132-18	MD 320 A/V
	11400132-24	MD 328 A/V
	11400132-20	MD 330 A/V/D
ⓓ	11400128-16	ED 280
	11400132-18	MD 320 A/V
	11400132-24	MD 328 A/V
ⓔ	11400132-18	MD 320 A/V
ⓕ	11400132-20	MD 330 A/V/D



47 = 5380408-58 F-Kopf

**FIGURE 2**



1	224044	1
2	224228	1
3	224922	1
4	224034	1
5	. 111072	1
6	322241	1
7	⊙ 322240	1
8	111055	2
8	224236	1
9	⊙ 224237	1
9	224239	1
10	111058	2
11	224238	1
12	224242-02	1
13	225163	1
14	FIGURE 1	
15	218933	1
16	224041	1
17	111053	2
18	111057	2
19	322031	1
20	300669	1
21	. 216985	1
22	. 225162	1
23	. 225163	1
24	. 300700	1
25	. 211242	1
26	. 322250	1
27	322105	4
28	224025	1
29	105989	1
30	224021	1
31	102164	1
32	111053	2
33	300321	1
34	300679	1
35	X <del>300482</del>	1
36	. 102556	1
37	. 95266	2
38	111054	3
39	224042	1
40	224020	1
41	224009	1
42	. 91117	2
43	⊙ 300661	1
44	⊙ 300482	1
45	. 215876	2
46	. 224224	1
47	⊙ 300663	1
48	⊙ 300482	1
49	. 215876	2
49	. 224217	1
47	111065	4
48	322030	1
49	⊙ 300452	1
49	300453	1
50	. 224022	1
51	224235	1
52	322210	1
53	111067	2
54	111068	1
55	92879	1
56	224023	1
57	224024	1
58	111065	5
59	FIGURE 4	
60	111058	1
61	322232	1

⊙ 11400128-16  
ED 280

B. Nr=30 = 301019 Lüftwheel

λ = 538 2417-49