

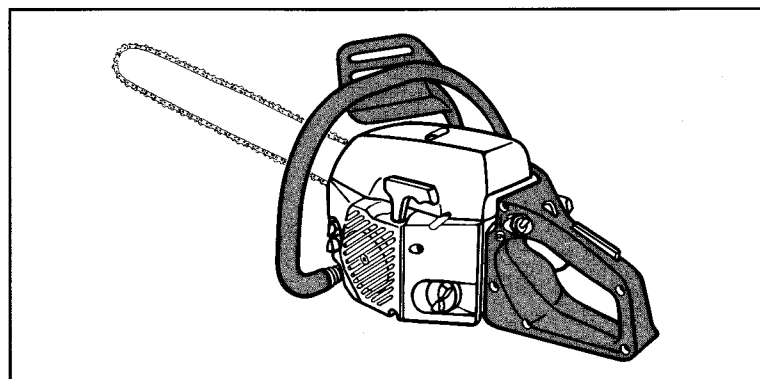
MCCULLOCH®

PARTNER

ILLUSTRATED PARTS LIST

PROMAC 40II-46II PARTNER P461

SERIAL NUMBER PREFIX 01



September 2000

	40 cc		<table border="0"> <tr><td>C</td><td>1</td><td></td><td>247254</td><td>1</td></tr> <tr><td>B</td><td>2</td><td>•</td><td>240343</td><td>1</td></tr> <tr><td>C</td><td>3</td><td>•</td><td>247257</td><td>1</td></tr> <tr><td></td><td>4</td><td>••</td><td>235008</td><td>2</td></tr> <tr><td>B</td><td>5</td><td>••</td><td>240085</td><td>2</td></tr> </table>	C	1		247254	1	B	2	•	240343	1	C	3	•	247257	1		4	••	235008	2	B	5	••	240085	2
	C	1		247254	1																							
B	2	•	240343	1																								
C	3	•	247257	1																								
	4	••	235008	2																								
B	5	••	240085	2																								
46 cc		<table border="0"> <tr><td>C</td><td>1</td><td></td><td>248500</td><td>1</td></tr> <tr><td>B</td><td>2</td><td>•</td><td>240343</td><td>1</td></tr> <tr><td>C</td><td>3</td><td>•</td><td>247258</td><td>1</td></tr> <tr><td></td><td>4</td><td>••</td><td>229544</td><td>2</td></tr> <tr><td>B</td><td>5</td><td>••</td><td>240353</td><td>1</td></tr> </table>	C	1		248500	1	B	2	•	240343	1	C	3	•	247258	1		4	••	229544	2	B	5	••	240353	1	
C	1		248500	1																								
B	2	•	240343	1																								
C	3	•	247258	1																								
	4	••	229544	2																								
B	5	••	240353	1																								

FIGURE 2

WALBRO WT 414				
C	-		240350	carbur.
B	1	•	247260	1
A	2	••	229191	1
	3	•	247261	1
	4	•	237481	1
	5	•	247388	H 1
	6	•	246540	L 1
	7	•	229601	2
C	8	•	247387	1

ZAMA C1Q M39				
C	-		242062	carbur.
B	1	•	226226	1
A	2	••	226227	1

FIGURE 3

A = high moving - alta rotazione - haute demande - große Nachfrage
 B = medium moving - media rotazione - moyenne demande - mittelmäßige Nachfrage
 C = slow moving - bassa rotazione - basse demande - wenige Nachfrage

C	1	248439	1	240261 46cc	1
	2	●228554	1	76 236997 M5x30	2
C	3	●241915	1	77 236529	2
A	4	227762	2	A 78 227692	1
C	5	241992	1	C 79 FIGURE 3	1
B	6	235073	1	80 240328	2
	7	235812	1	81 240334 M4x40	2
	8	235076	1	82 240262	1
	9	235806 M5x20	2	83 235248	2
C	10	241907	1	84 235216	2
	11	241905	1	B 85 240263	1
	12	241904	1	86 240322	2
	13	241906	1	87 240338 40cc McCulloch	1
	14	235642	2	241995 46cc McCulloch	1
	15	241902	1	242065 46cc Partner	1
	16	242017	1	88 ●240320	1
	17	241903	1	89 ●240321	1
	18	241871 40cc	1	90 ●236936	1
		241873 46cc	1	91 ●240272	1
C	19	●235742 40cc	1	C 92 240344	1
C		227329 46cc	1	93 240291	1
C	20	227631	1	94 ●240297	1
	21	235672	1	95 ●236981	2
C	22	240339	1	96 240299	1
C	23	●240301	1	97 236997 M5x30	1
C	24	●240302	1	98 227626	2
	25	●240303	1	99 227567 M5x70	2
C	26	●240367	1	C100 241914	1
	27	●240862	5	101 229137	1
	28	229524	1	102 248496	1
C	29	240859	1	103 ●235899	1
	30	227259	1	C104 ●241879	1
	31	240845 M5x16	1	105 ●235900	1
C	32	247259	1	105A ●241077	1
	33	240315	2	106 ●240312	1
	34	235248	1	107 ●241253	1
	35	235802 M5x14	2	C108 ●228872	1
	36	235806 M5x20	2	109 ●235075	1
	37	240281	1	110 ●94006	1
B	38	241231 40cc	1	B111 ●241881 M8	2
B		240289 46cc	1	114 235287	1
B	39	240285	1	117 227259	1
	40	240354	1	118 235806 M5x20	1
	41	235248	1	B119 240260 3/8"	1
	42	235802 M5x14	1	B 240266 3/25"	1
	43	235248	1	B120 241908	1
	44	235803 M5x25	1	B121 235367	1
	45	227259	1	B122 241909	1
	46	235802 M5x14	1	123 235642	1
C	47	240336 McCulloch	1	124 241346	1
C		241933 Partner	1	125 242006	1
	48	●240316 M5x35	1	126 240309	1
	49	●240921	1	C127 240363	1
	50	●229208	1	B128 240286	1
	51	●240884	1	129 235802 M5x14	2
B	52	●235372	1	C130 241882	1
A	53	●235042	1	131 240867	1
B	54	●235040	1	132 240920	1
	55	235248	3	133 ●240300	1
	56	236997 M5x30	3	B134 ●240868	1
B	57	240866	1	C135 ●235675	1
C	58	●235511	1	A136 ●240452	1
B	59	240865	1	C137 ●227582	1
C	60	●235510	1	138 ●229716	1
	61	247290	1	139 94273	1
	62	●240358	3	142 240323	1
	63	235218	1	146 236997 M5x30	4
	64	241204	1	B147 241883	1
B	65	●235516	2	C148 ●241885	1
B	66	●235517	2	149 ●241895	1
B	67	●235518	2	150 ●241896	1
C	68	241291	1	C151 225062	1
C	69	●240370	1	153 242004	1
C	70	FIGURE 2	1	B154 ●240926	3
	71	227565 M5x25	4	155 ●227359	3
	72	236934	1	156 ●242005	1
A	73	92879	1	157 235248	1
B	74	240345	1	158 228139	1
	75	240271 40cc	1		

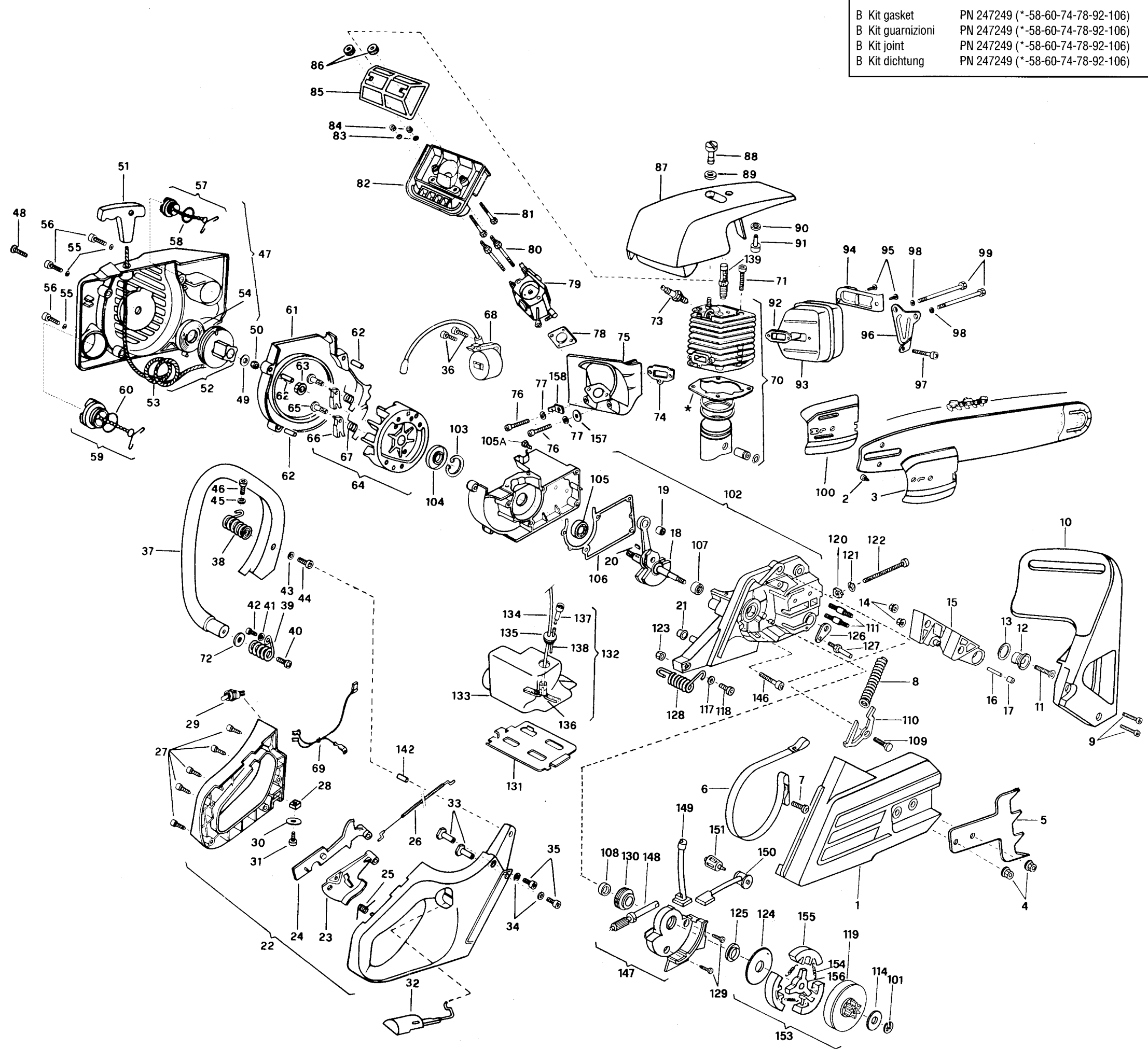


FIGURE 1

A = high moving - alta rotazione - haute demande - große Nachfrage
 B = medium moving - media rotazione - moyenne demande - mittelmäßige Nachfrage
 C = slow moving - bassa rotazione - basse demande - wenige Nachfrage