

**ELECTROLUX OUTDOOR PRODUCTS**

| <b>PNC</b> | <b>Type/Prefix/nd</b> | <b>Model</b> | <b>Brand</b> |
|------------|-----------------------|--------------|--------------|
| 953900591  | 02                    | TITANIUM 460 | McCulloch    |
| 953900601  |                       |              |              |

**Number of Pages 1 of 7**

|   |                             |
|---|-----------------------------|
| <b>Factory:</b> IIQ - Valmadrera              | <b>Product Group:</b> OP 93 |
| <b>Publication Number:</b> EIPL2004_VP0406009 | <b>Petrol Portable</b>      |
| <b>Publication Date:</b> 29/06/04             | <b>Sub Group</b> 9430       |

 ***The Electrolux Group. The world's No.1 choice.***

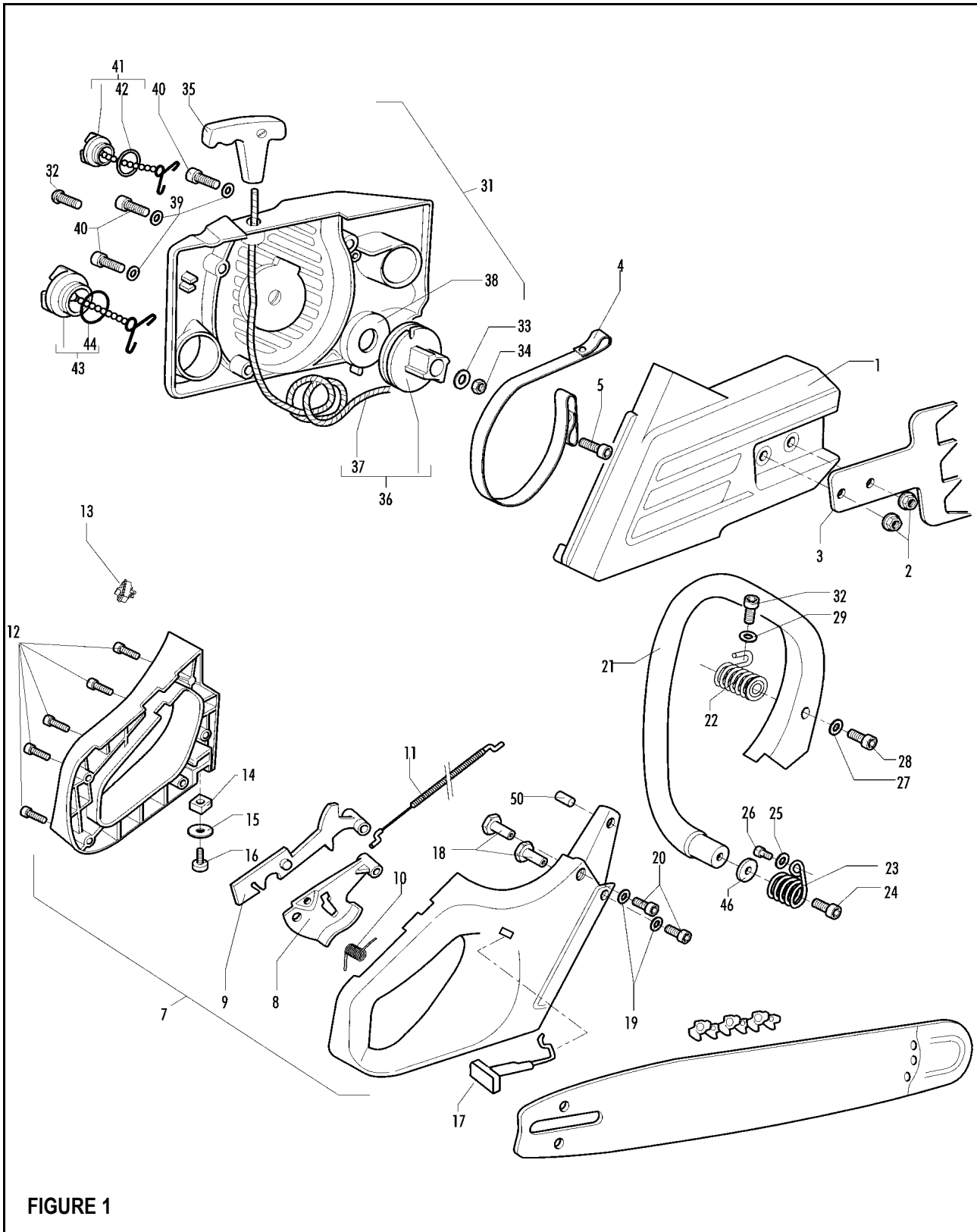


FIGURE 1

| Item | P/N McC | P/N ELX | Qty | DESCRIPTION |
|------|---------|---------|-----|-------------|
|------|---------|---------|-----|-------------|

| Item | P/N McC | P/N ELX | Qty | DESCRIPTION |
|------|---------|---------|-----|-------------|
|------|---------|---------|-----|-------------|

**FIGURE 1**

|      |           |           |   |                         |
|------|-----------|-----------|---|-------------------------|
| C 1  | 248438    | 538248438 | 1 | kit clutch cover        |
| A 2  | 242501    | 538242501 | 2 | nut M6                  |
| C 3  | 241993    | 538241993 | 1 | spiked bumper           |
| B 4  | 235073    | 538235073 | 1 | band brake              |
| 5    | 235812    | 538235812 | 1 | special brake screw     |
| C 7  | 243027    | 538243027 | 1 | rear handle assy        |
| C 8  | • 240301  | 538240301 | 1 | throttle trigger        |
| C 9  | • 240302  | 538240302 | 1 | safety trigger          |
| 10   | • 240303  | 538240303 | 1 | throttle trigger spring |
| C 11 | • 240367  | 538240367 | 1 | throttle cable assy     |
| 12   | • 240862  | 538240862 | 5 | screw 4x18              |
| C 14 | 242439    | 538242439 | 1 | switch                  |
| 13   | 229524    | 538229524 | 1 | nut M5                  |
| 15   | 227259    | 538227259 | 1 | washer                  |
| 16   | 240845    | 538240845 | 1 | screw                   |
| C 17 | 243025    | 538243025 | 1 | choke knob assy         |
| 18   | 240315    | 538240315 | 2 | nut                     |
| 19   | 235248    | 538235248 | 2 | washer M5               |
| 20   | 235802    | 538235802 | 2 | screw M5x14             |
| 21   | 240281    | 538240281 | 1 | front handle            |
| B 22 | 240289    | 538240289 | 1 | spring                  |
| B 23 | 240285    | 538240285 | 1 | spring                  |
| 24   | 240354    | 538240354 | 1 | screw 6x30              |
| 25   | 235248    | 538235248 | 1 | washer M5               |
| 26   | 235802    | 538235802 | 1 | screw M5x14             |
| 27   | 235248    | 538235248 | 1 | washer M5               |
| 28   | 235803    | 538235803 | 1 | screw M5x25             |
| 29   | 227259    | 538227259 | 1 | washer                  |
| 30   | 235802    | 538235802 | 1 | screw M5x14             |
| C 31 | 243216    | 538243216 | 1 | starter assy            |
| 32   | • 240316  | 538240316 | 1 | screw M5x35             |
| 33   | • 240921  | 538240921 | 1 | washer                  |
| 34   | • 229208  | 538229208 | 1 | nut M5                  |
| 35   | • 240884  | 538240884 | 1 | starter handle          |
| B 36 | • 235372  | 538235372 | 1 | drum and rope           |
| A 37 | •• 235042 | 538235042 | 1 | rope                    |
| B 38 | • 235040  | 538235040 | 1 | spring                  |
| 39   | 235248    | 538235248 | 3 | washer M5               |
| 40   | 236997    | 538236997 | 3 | M5x30 screw             |
| B 41 | 240866    | 538240866 | 1 | oil cap assy            |
| C 42 | • 235511  | 538235511 | 1 | O-ring (oil cap)        |
| B 43 | 240865    | 538240865 | 1 | fuel cap assy           |
| C 44 | • 235510  | 538235510 | 1 | O-ring (fuel cap)       |
| 46   | 236934    | 538236934 | 1 | washer                  |
| 50   | 240323    | 538240323 | 1 | spacer                  |

A=ALTA ROTAZIONE  
 B=MEDIA ROTAZIONE  
 C=ALTA ROTAZIONE  
 NUOVI CODICI

A=HIGH MOVING  
 B=MEDIUM MOVING  
 C=SLOW MOVING  
 NEW P. NUMBERS

A=HAUTE DEMANDE  
 B=MOYENNE DEMANDE  
 C=BASSE DEMANDE  
 NOUVELLES REFERENCES

A=GROBE NACHFRAGE  
 B=MITTELMAESSIGE  
 C=WENIGE NACHFRAGE  
 NEU CODEX

FIGURE 3

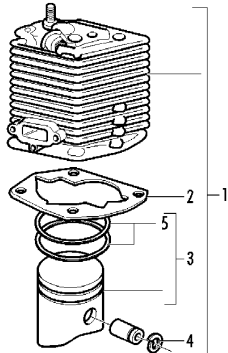


FIGURE 4

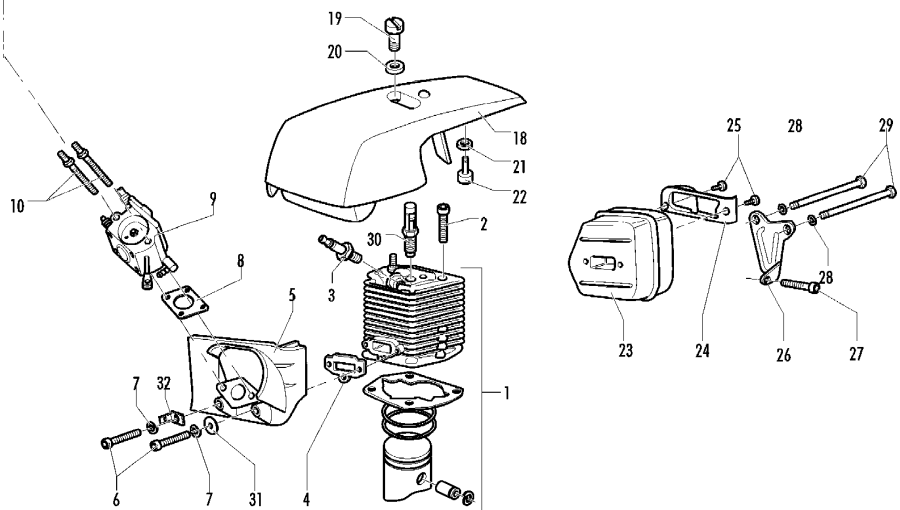
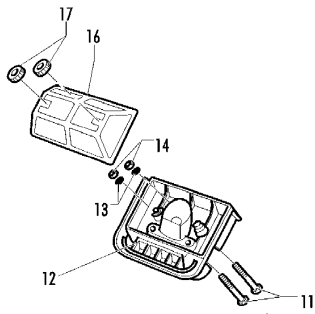
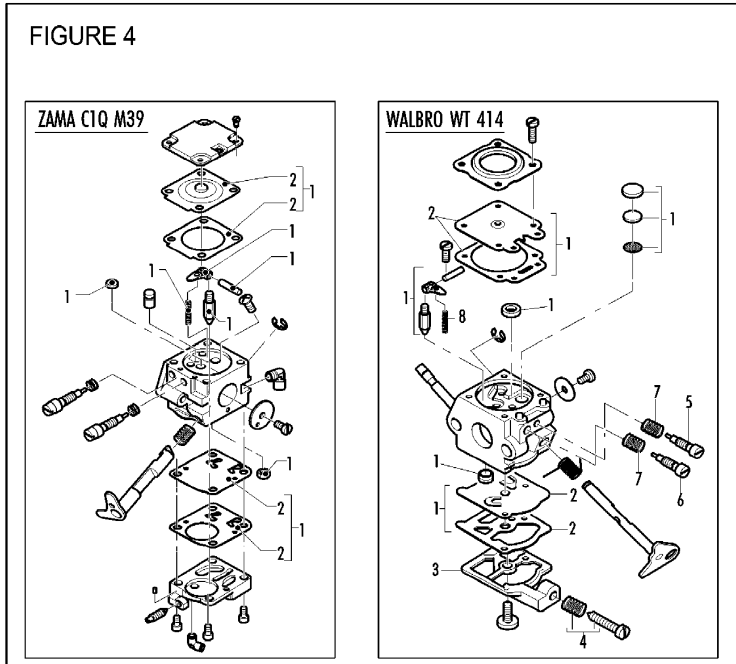


FIGURE 2

| Item | P/N McC | P/N ELX | Qty | DESCRIPTION |
|------|---------|---------|-----|-------------|
|------|---------|---------|-----|-------------|

| Item | P/N McC | P/N ELX | Qty | DESCRIPTION |
|------|---------|---------|-----|-------------|
|------|---------|---------|-----|-------------|

**FIGURE 2**
**FIGURE 3**

|      |          |                 |   |                          |
|------|----------|-----------------|---|--------------------------|
| C 1  |          | <b>FIGURE 3</b> |   |                          |
| 2    | 227565   | 538227565       | 4 | screw M5x25              |
| A 3  | 92879    | 538092879       | 1 | spark plug RDJ8J         |
| B 4  | 240345   | 538240345       | 1 | gasket                   |
| 5    | 240261   | 538240261       | 1 | carb.spacer              |
| 6    | 236997   | 538236997       | 2 | screw M5x30              |
| 7    | 236529   | 538236529       | 2 | split washer             |
| A 8  | 227692   | 538227692       | 1 | gasket                   |
| C 9  |          | <b>FIGURE 4</b> |   |                          |
| 10   | 240328   | 538240328       | 2 | bar bolt                 |
| 11   | 240334   | 538240334       | 2 | screw M5x40              |
| 12   | 240262   | 538240262       | 1 | air filter box           |
| 13   | 235248   | 538235248       | 2 | washer M5                |
| 14   | 235216   | 538235216       | 2 | nut M5                   |
| B 16 | 240263   | 538240263       | 1 | air filter               |
| 17   | 240322   | 538240322       | 2 | nut                      |
| 18   | 243218   | 538243218       | 1 | engine cover             |
| 19   | • 240320 | 538240320       | 1 | screw                    |
| 20   | • 240321 | 538240321       | 1 | washer                   |
| 21   | • 236936 | 538236936       | 1 | washer                   |
| 22   | • 240272 | 538240272       | 1 | fan baffle               |
| 23   | 240291   | 538240291       | 1 | muffler                  |
| 24   | • 240297 | 538240297       | 1 | promac muffler buffle    |
| 25   | • 236981 | 538236981       | 2 | screw T5                 |
| 26   | 240299   | 538240299       | 1 | muffler support          |
| 27   | 236997   | 538236997       | 1 | screw M5x30              |
| 28   | 227626   | 538227626       | 2 | washer D5                |
| 29   | 227567   | 538227567       | 2 | screw M5x70              |
| 30   | 94273    | 538094273       | 1 | valve compressor release |
| 31   | 235248   | 538235248       | 1 | washer M5                |
| 32   | 228139   | 538228139       | 1 | faston male              |

| 46cc |    |        |           |                            |
|------|----|--------|-----------|----------------------------|
| C 1  | •  | 248500 | 538248500 | 1 46cc pyston/cylinder kit |
| B 2  | •  | 242366 | 538242366 | 1 gasket                   |
| C 3  | •  | 247258 | 538247258 | 1 46cc piston kit          |
| 4    | •• | 229544 | 538229544 | 2 snap ring                |
| B 5  | •• | 240353 | 538240353 | 1 46cc piston ring         |

| WALBRO WT 414 |    |        |           |                        |
|---------------|----|--------|-----------|------------------------|
| C             |    | 240350 | 538240350 | 1 carburetor WT 414    |
| B 1           | •  | 247260 | 538247260 | 1 main kit K20 WAT     |
| A 2           | •• | 229191 | 538229191 | 1 gasket - diaphragm.W |
| 3             | •  | 247261 | 538247261 | 1 pump cover           |
| 4             | •  | 237481 | 538237481 | 1 idle screw kit       |
| 5             | •  | 247388 | 538247388 | 1 HI screw carb.WT 414 |
| 6             | •  | 246540 | 538246540 | 1 high speed needle    |
| 7             | •  | 229601 | 538229601 | 2 needles spring       |
| C 8           | •  | 247387 | 538247387 | 1 98-3249 spring       |

| ZAMA C1QM39 |    |        |           |                           |
|-------------|----|--------|-----------|---------------------------|
| C           |    | 242062 | 538242062 | 1 carburetor ZAMA C1Q M39 |
| B 1         | •  | 226226 | 538226226 | 1 repair kit C1Q          |
| A 2         | •• | 226227 | 538226227 | 1 gasket-diaphragm C1Q    |

A=ALTA ROTAZIONE  
B=MEDIA ROTAZIONE  
C=ALTA ROTAZIONE  
NUOVI CODICI

A=HIGH MOVING  
B=MEDIUM MOVING  
C=SLOW MOVING  
NEW P. NUMBERS

A=HAUTE DEMANDE  
B=MOYENNE DEMANDE  
C=BASSE DEMANDE  
NOUVELLES REFERENCES

A=GROBE NACHFRAGE  
B=MITTELMAESSIGE  
C=WENIGE NACHFRAGE  
NEU CODEX

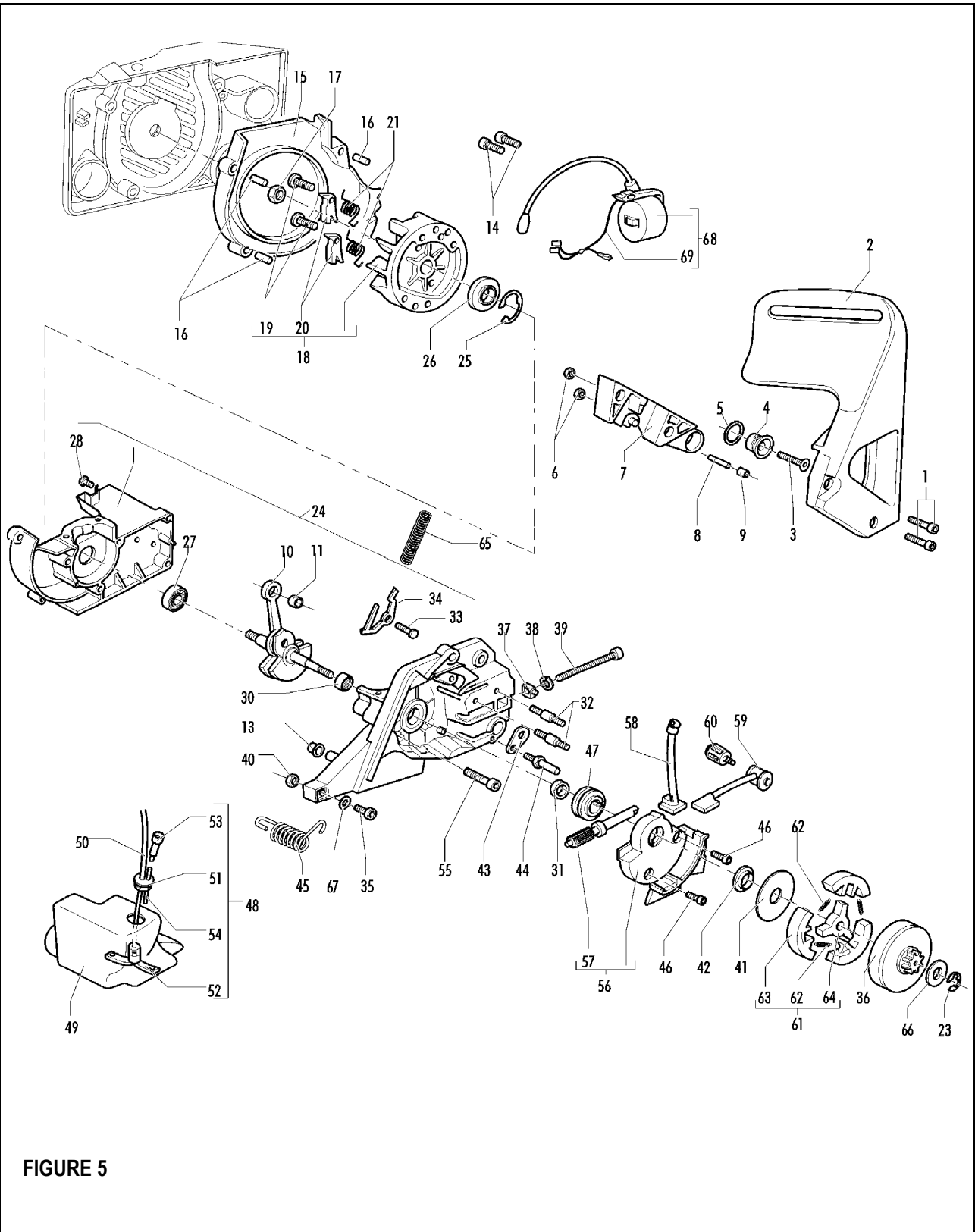


FIGURE 5

| Item | P/N McC | P/N ELX | Qty | DESCRIPTION |
|------|---------|---------|-----|-------------|
|------|---------|---------|-----|-------------|

| Item | P/N McC | P/N ELX | Qty | DESCRIPTION |
|------|---------|---------|-----|-------------|
|------|---------|---------|-----|-------------|

**FIGURE 5**

|        |        |           |   |                           |
|--------|--------|-----------|---|---------------------------|
| 1      | 235806 | 538235806 | 2 | screw M5x20               |
| C 2    | 241907 | 538241907 | 1 | brake lever               |
| 3      | 241905 | 538241905 | 1 | screw M6x25               |
| 4      | 241904 | 538241904 | 1 | sleeve                    |
| 5      | 241906 | 538241906 | 1 | washer D.10X15X1          |
| 6      | 235642 | 538235642 | 2 | nut M5                    |
| 7      | 241902 | 538241902 | 1 | brake housing             |
| 8      | 242017 | 538242017 | 1 | band pivot                |
| 9      | 241903 | 538241903 | 1 | brake needle              |
| 10     | 241873 | 538241873 | 1 | crankshaft assy           |
| C 11 • | 227329 | 538227329 | 1 | needle bearing            |
| 13     | 235672 | 538235672 | 1 | tank grommet              |
| 14     | 235806 | 538235806 | 2 | screw M5x20               |
| 15     | 247290 | 538247290 | 1 | air conveyor              |
| 16 •   | 240358 | 538240358 | 3 | spacer                    |
| 17     | 235218 | 538235218 | 1 | nut M8                    |
| 18     | 242621 | 538242621 | 1 | flywheel                  |
| B 19 • | 235516 | 538235516 | 2 | pin (starter pawl)        |
| B 20 • | 235517 | 538235517 | 2 | starter pawl              |
| B 21 • | 235518 | 538235518 | 2 | starter spring            |
| 23     | 229137 | 538229137 | 1 | benzing 4mm               |
| 24     | 248497 | 538248497 | 1 | L crankcase kit           |
| 25 •   | 235899 | 538235899 | 1 | seeger ring               |
| C 26 • | 241879 | 538241879 | 1 | seal 15X32X4/5            |
| 27 •   | 235900 | 538235900 | 1 | ball bearing 6002 15/32/9 |
| 28 •   | 241077 | 538241077 | 1 | self-threading screw 4X14 |
| 30 •   | 241253 | 538241253 | 1 | needle bearing 15X21X12   |
| C 31 • | 228872 | 538228872 | 1 | seal 13-32-5 (S7)         |
| B 32 • | 241880 | 538241880 | 2 | bar bolt M6               |
| 33 •   | 235075 | 538235075 | 1 | latch pivot               |
| 34 •   | 94006  | 538094006 | 1 | brake latch               |
| 35     | 235806 | 538235806 | 1 | screw M5x20               |
| B 36   | 240260 | 538240260 | 1 | drum sprocket 3/8         |
| B 37   | 241908 | 538241908 | 1 | bar adjustment nut        |
| B 38   | 235367 | 538235367 | 1 | benzing 4mm               |
| B 39   | 241909 | 538241909 | 1 | screw                     |
| 40     | 235642 | 538235642 | 1 | nut M5                    |
| 41     | 241346 | 538241346 | 1 | washer                    |
| 42     | 242006 | 538242006 | 1 | clutch spacer             |
| 43     | 240309 | 538240309 | 1 | oil cap plate             |
| C 44   | 240363 | 538240363 | 1 | chain catcher             |
| B 45   | 240286 | 538240286 | 1 | spring                    |

|        |        |           |   |                        |
|--------|--------|-----------|---|------------------------|
| 46     | 235802 | 538235802 | 2 | screw M5x14            |
| C 47   | 241882 | 538241882 | 1 | oil pump screw         |
| 48     | 240920 | 538240920 | 1 | fuel tank assy         |
| 49 •   | 240300 | 538240300 | 1 | fuel tank              |
| B 50 • | 240868 | 538240868 | 1 | fuel hose              |
| C 51 • | 235675 | 538235675 | 1 | fuel tank grommet      |
| A 52 • | 240452 | 538240452 | 1 | fuel pick up           |
| C 53 • | 227582 | 538227582 | 1 | vent filter            |
| 54 •   | 229716 | 538229716 | 1 | breather pipe oil tank |
| 55     | 236997 | 538236997 | 4 | M5x30 screw            |
| B 56   | 241883 | 538241883 | 1 | oil pump assy          |
| C 57 • | 241885 | 538241885 | 1 | oil pump piston kit    |
| 58 •   | 241895 | 538241895 | 1 | pipe joint             |
| 59 •   | 241896 | 538241896 | 1 | oil pump tube          |
| C 60 • | 225062 | 538225062 | 1 | oil filter             |
| 61     | 242004 | 538242004 | 1 | clutch assy            |
| B 62 • | 240926 | 538240926 | 3 | spring                 |
| 63 •   | 227359 | 538227359 | 3 | shoe clutch            |
| 64 •   | 242005 | 538242005 | 1 | rotor clutch           |
| 65     | 235076 | 538235076 | 1 | brake spring           |
| 66     | 235287 | 538235287 | 1 | clutch waher           |
| 67     | 227259 | 538227259 | 1 | washer                 |
| C 68   | 243029 | 538243029 | 1 | ignition coil assy     |
| C 69 • | 243040 | 538243040 | 1 | wires assy             |

A=ALTA ROTAZIONE  
B=MEDIA ROTAZIONE  
C=ALTA ROTAZIONE  
NUOVI CODICI

A=HIGH MOVING  
B=MEDIUM MOVING  
C=SLOW MOVING  
NEW P. NUMBERS

A=HAUTE DEMANDE  
B=MOYENNE DEMANDE  
C=BASSE DEMANDE  
NOUVELLES REFERENCES

A=GROBE NACHFRAGE  
B=MITTELMAESSIGE  
C=WENIGE NACHFRAGE  
NEU CODEX