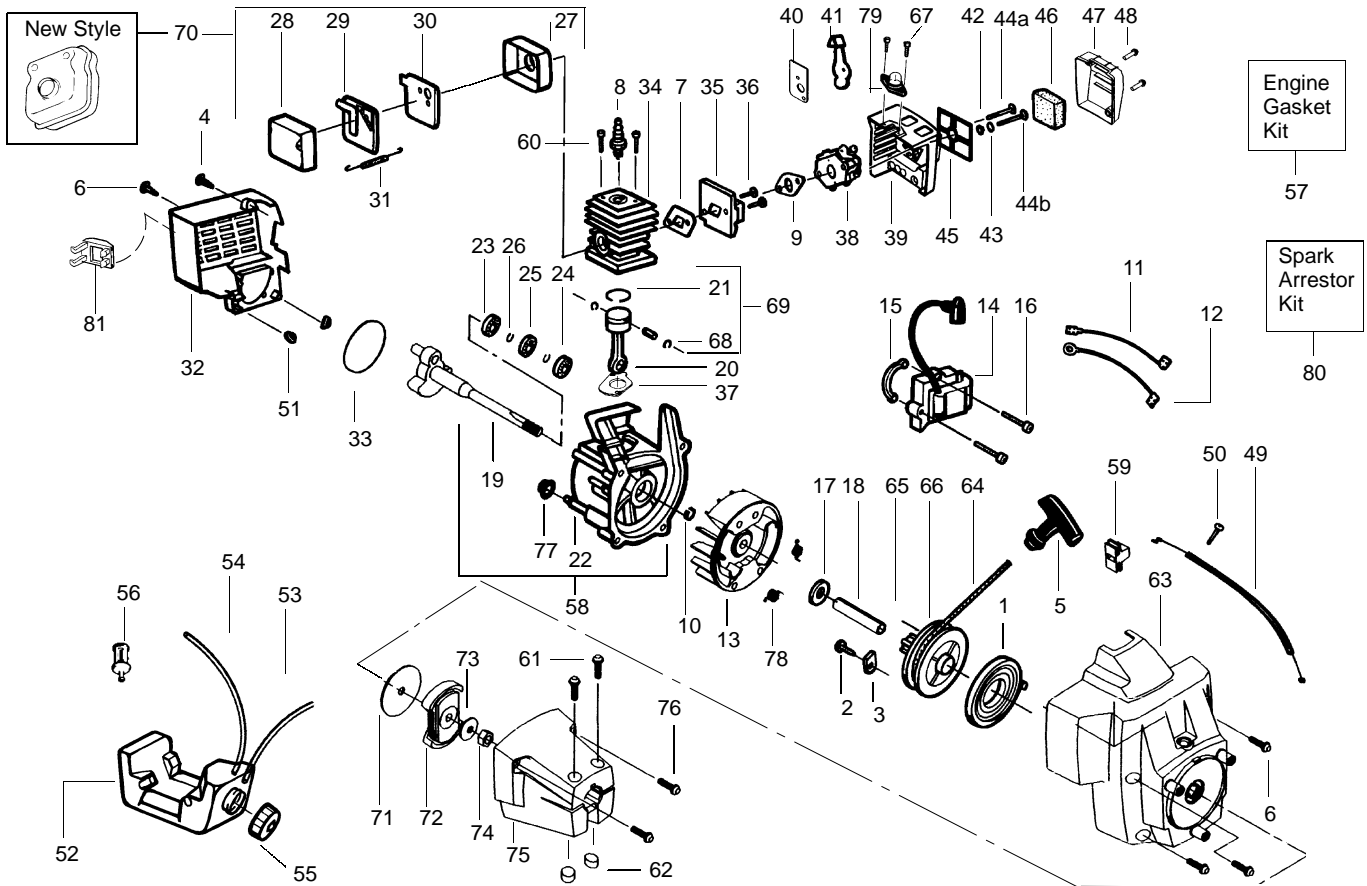


PARTS LIST NO. 530088767		POULAN® PARTS LIST	MODEL(s) PE3500
DATE 9/06/02	REPLACES 530087584-3/25/02		PAGE NO. 2
Note: Illustration may differ from actual model due to design changes			

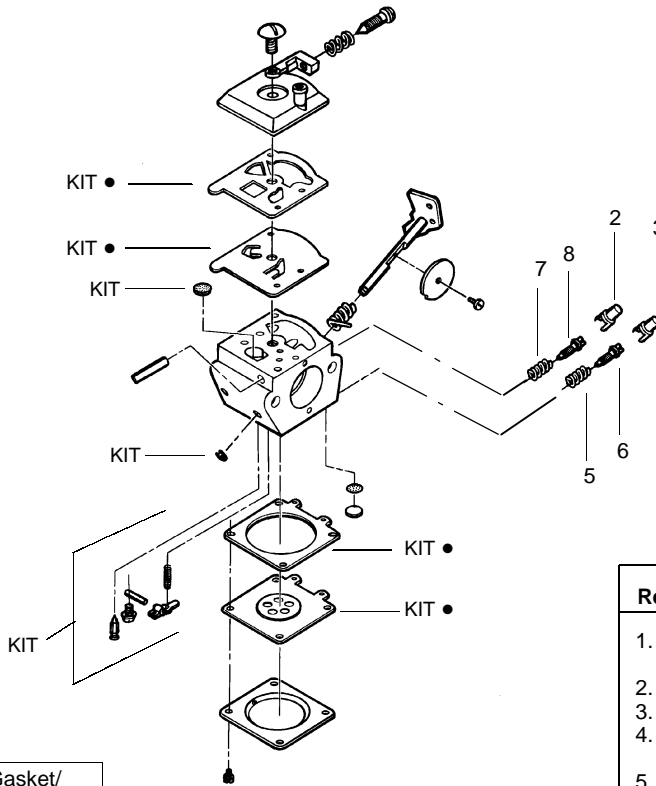


Ref.	Part No.	Description	Ref.	Part No.	Description	Ref.	Part No.	Description
1.	530042085	Starter Spring	32.	*****	Shroud	57.	530071253	Engine Gasket Kit
2.	530015775	Screw		530053320	Service Ref. (C)			(Incl. 7, 9, 33 & 3
3.	530027523	Retainer		530049233	Service Ref. (D)	58.	530014906	C'case & C'shaft Assy.
4.	530015934	Screw	33.	*****	O-Ring-C'case/Shroud			(Incl. 10,19,22-26)
5.	530027569	Starter Handle	34.	*****	Cylinder Kit	59.	530069572	Switch Kit
6.	530015810	Screw		530069993	Service Ref. (C)	60.	530015953	Screw
7.	530019233	Gasket-Cyl/Carb Adapt		530069757	Service Ref. (D)	61.	530015767	Screw
8.	952030201	Spark Plug	35.	530071250	Carb. Adaptor Kit	62.	530015768	Locknut
9.	530035421	Gasket-Carb	36.	*****	Screw	63.	*****	Fan Housing Kit
10.	530015941	Retainer Ring (C'shaft)		530016014	Service Ref. (C)		530053602	Service Ref. (C)
11.	530014663	Lead Wire Ass'y.		530015849	Service Ref. (D)		530049857	Service Ref. (D)
12.	530014662	Ground Wire Ass'y.	37.	530019223	Gasket-Cylinder	64.	530069232	Rope Kit
13.	530069886	Flywheel Ass'y.	38.	*****	Carburetor Ass'y.	65.	530016080	Screw
14.	*****	Ignition Module		530069902	(WT380) Ser. Ref. (C)	66.	530069400	Starter Pulley
	530052266	Service Ref. (C)		530069998	(WT380) Ser. Ref. (D)	67.	530015780	Screw
	530039163	Service Ref. (D)	39.	*****	Air Box	68.	530015162	Piston Pin Retainer
15.	530036145	Spacer-Ign. Module		530053323	Service Ref. (C)	69.	*****	Piston Kit
16.	530015954	Screw		530037969	Service Ref. (D)			(Incl. 21,68 & Pin)
17.	530015149	Washer	40.	530037326	Choke Mounting Plate		530069992	Service Ref. (C)
18.	530037705	Spacer-Flywheel	41.	530038102	Choke Shutter		530069756	Service Ref. (D)
19.	530052344	Crankshaft Ass'y.	42.	530015254	Washer	70.	-	Muffler Kit(Incls. 27-31)
20.	530069615	Connecting Rod Ass'y.	43.	530015852	Spacer-Choke		530069989	Old Style
21.	*****	Piston Ring	44.	---	Screw-Carb.		530071390	New Style
	530053565	Service Ref. (C)		530015849	(A) Screw	71.	530015611	Washer-Clutch
	530049903	Service Ref. (D)		530015887	(B) Screw	72.	530069491	Clutch Ass'y.
22.	530012414	Crankcase Ass'y.	45.	530037413	Support Plate/Filter	73.	530015828	Washer-Flat
23.	530032125	Inner Bearing	46.	530037331	Air Filter Foam	74.	530626605	Nut
24.	530032124	Outer Bearing	47.	530037292	Cover-Air Box	75.	*****	Clutch Hsg.
25.	530019179	C'case Seal	48.	530015957	Screw		530069997	Service Ref. (C)
26.	530015945	Retaining Ring (C'case)	49.	530037415	Throttle Cable Ass'y.		530014923	Service Ref. (D)
27.	530036578	Muffler Body	50.	530015814	Screw	76.	530015886	Screw
28.	530036577	Muffler Cover	51.	530036793	Isolator-Shroud	77.	530036792	Isolator-Crankcase
29.	530053500	Muffler Baffle-Exit	52.	530049413	Fuel Tank Ass'y.	78.	530023817	Spring-Starter Dog
30.	530053499	Muffler Baffle-First	53.	530069216	Fuel Line-Tank/Purge	79.	530038874	Bulb Ass'y.
31.	-	Muffler Spring	54.	530069247	Fuel Line-Carb/Purge	80.	-	Spark Arrestor Kit
	530016197	Old Style	55.	530014347	Fuel Cap Ass'y.		530071290	Old Style
	530042088	New Style	56.	530095646	Fuel Pickup Ass'y.		530071391	New Style
						81.	530054536	Guard-Muffler

✓ = NEW PART NUMBER FOR THIS IPL

* = REFER TO THE SERVICE REFERENCE INDICATED FOR MORE INFORMATION. (LOCATED AT END OF IPL)

Carburetor Assembly No. 530069902 - WT380
Carburetor Assembly No. 530069998 - WT520



Carb.
Repair
Kit

1

Gasket/
Diaphragm
Kit

4

Ref.	Part No.	Description
1.	530069829	Carburetor Repair Kit (KIT= Indicates Contents)
2.	530038318	Limiter Cap (High-Red)
3.	530038317	Limiter Cap (Low-Blue)
4.	530069844	Gasket/Diaphragm Kit (●=Indicates Contents)
5.	530035293	Needle Spring-Low Speed
6.	530035433	Needle-Low Speed
7.	530035295	Needle Spring-High Speed
8.	530035388	Needle-High Speed

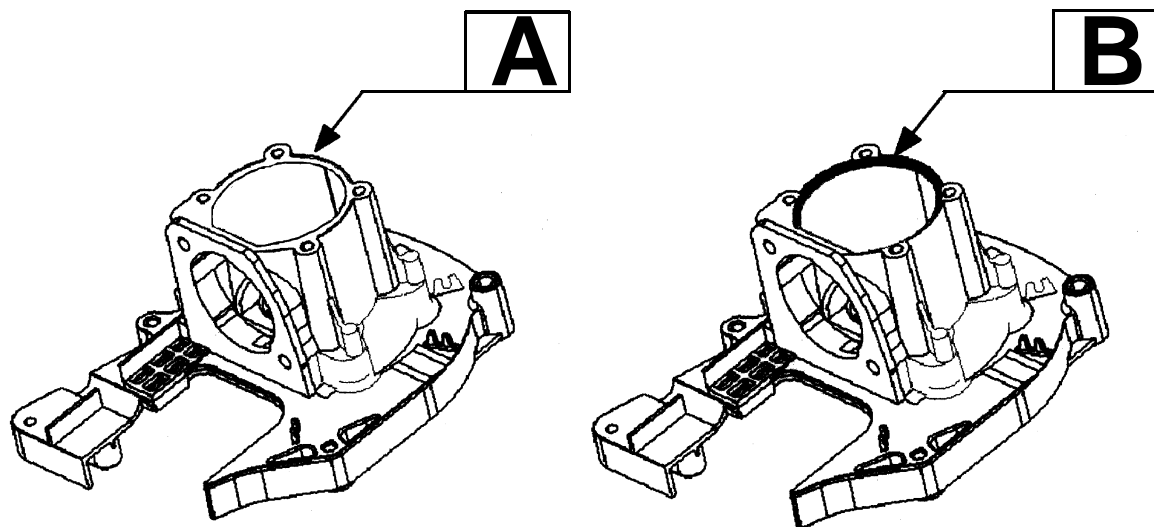
PARTS LIST NO. 530088767		POULAN® PARTS LIST	MODEL(s) PE3500
DATE 9/06/02	REPLACES 530087584-3/25/02		Note: Illustration may differ from actual model due to design changes

***** SERVICE REFERENCE *****

Note: When replacing item# 33 on page 2, please note if the surface indicated by the arrow is flat or has a beveled edge and order accordingly.

(A) Flat Surface – 530-019181 Gasket

(B) Beveled surface – 530-054624 O-ring



***** SERVICE REFERENCE *****

The plate 530-056703 can be used to adapt a Type 1 guard to a Type 2 gearbox.

***** SERVICE REFERENCE *****

***** The PE3500 Stick Edger was built in CHARTREUSE and DARK GREEN colors. When ordering the referenced parts, order accordingly:
 (C) CHARTREUSE
 (D) DARK GREEN

✓ = NEW PART NUMBER FOR THIS IPL ★ = REFER TO THE SERVICE REFERENCE INDICATED FOR MORE INFORMATION. (LOCATED AT END OF IPL)
 ● = THESE PARTS ARE ILLUSTRATED FOR CLARITY. ORDER COMPLETE ASSEMBLY.