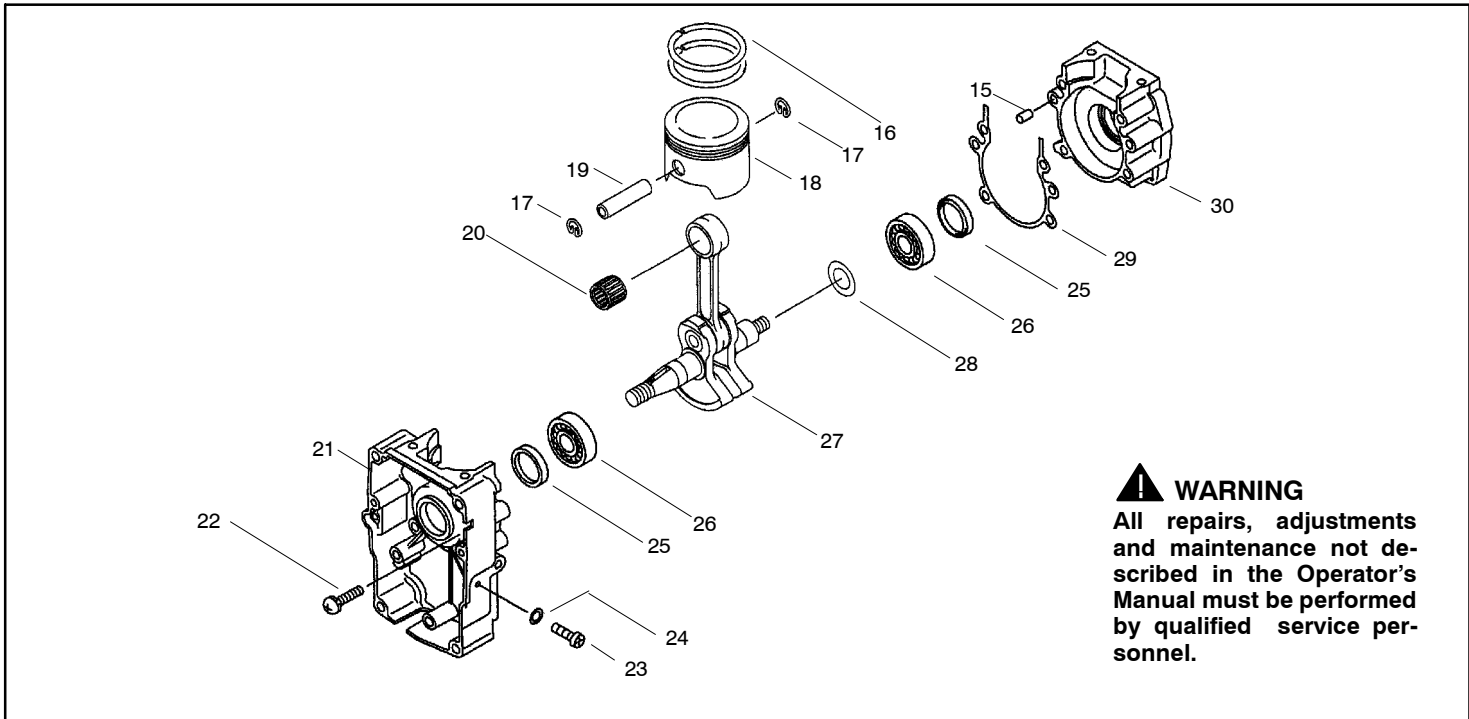
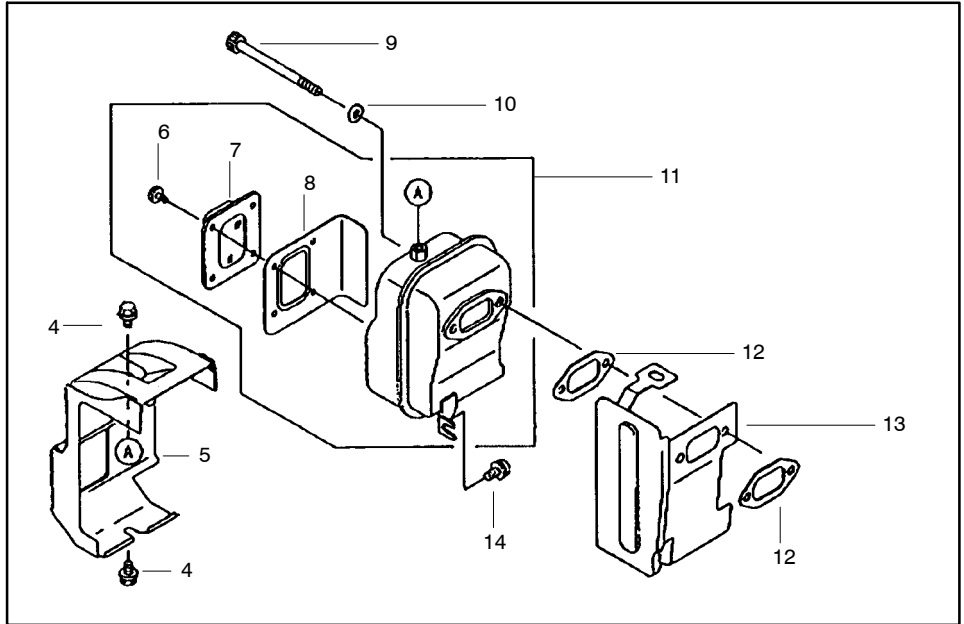
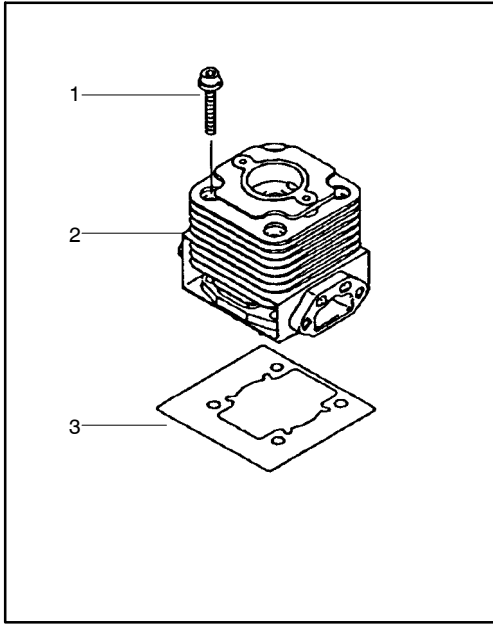


Poulan PRO® PARTS LIST

MODEL:
BP402LE

Note: Illustrations may differ from actual models due to design changes



⚠ WARNING
All repairs, adjustments and maintenance not described in the Operator's Manual must be performed by qualified service personnel.

Ref.	Part No.	Description	Ref.	Part No.	Description	Ref.	Part No.	Description
1.	530058381	Bolt	13.	491062646	Cover-Muffler	25.	920492076	Seal-Oil
2.	110052141	Cylinder-Engine	14.	242B0614	Screw	26.	920452005	Bearing-Ball 6202C3
3.	110612071	Gasket-Cylinder	15.	551A0610	Pin-Dowel	27.	530058389	Assy-Crankshaft (incl. #20)
4.	130B0608	Bolt	16.	530094023	Ring-Piston Set	28.	920252134	Shim-T=0.10
5.	491062652	Cover-Muffler	17.	920332058	Ring-Snap		920252135	Shim-T=0.20
6.	920092446	Screw	18.	130012152	Piston-Engine		530094030	Shim-T=0.40
7.	180772120	Arrestor-Spark	19.	130022065	Pin-Piston		530058394	Shim-T=0.60
8.	110612061	Gasket	20.	530094027	Bearing-Needle	29.	110092521	Gasket-Crankcase
9.	921532073	Bolt	21.	140022330	Crankcase	30.	140026005	Crankcase
10.	920221523	Washer	22.	223B0630	Screw-Pan-WS			
11.	490692376	Assy-Muffler	23.	214B0608	Screw-Pan			
12.	110612093	Gasket	24.	751Q0600	Gasket			

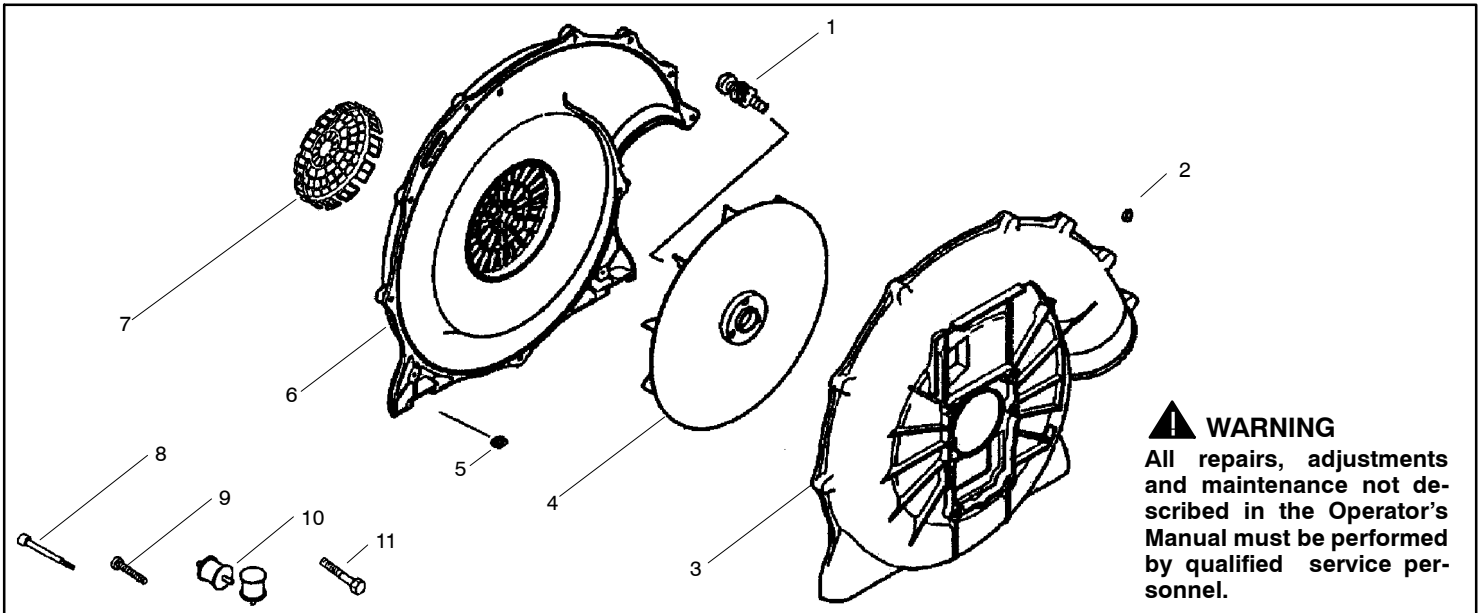
✓ = NEW PART NUMBER FOR THIS IPL

★ = REFER TO THE SERVICE REFERENCE INDICATED FOR MORE INFORMATION. (LOCATED AT END OF IPL)

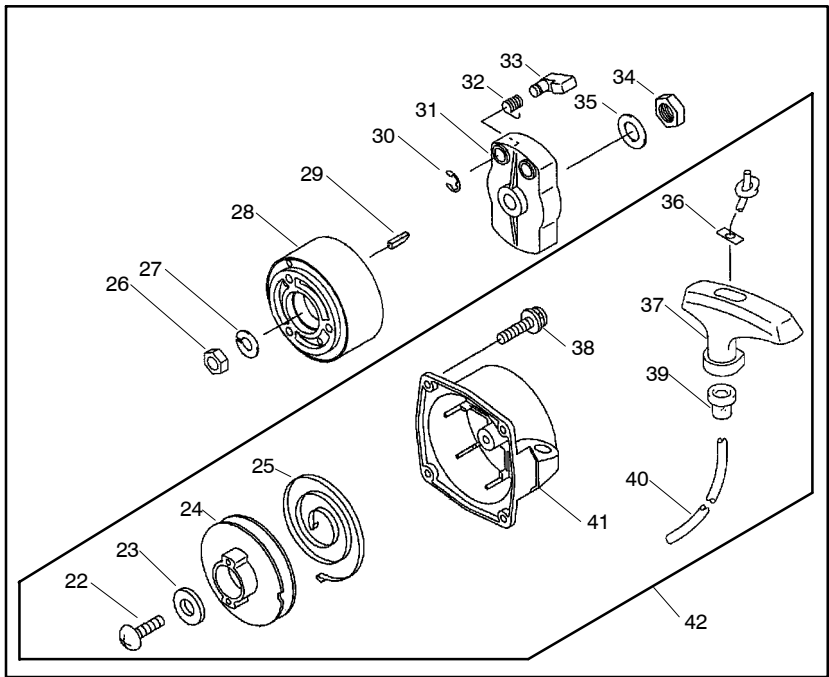
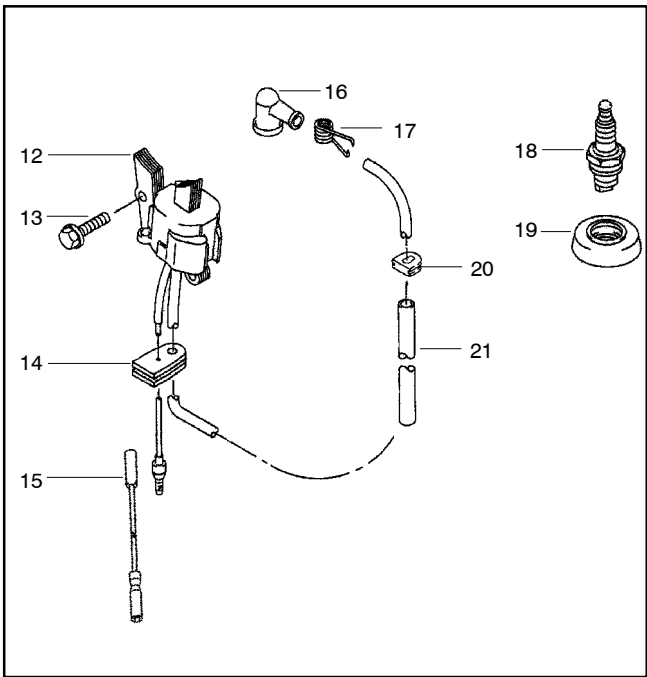
Poulan PRO[®] PARTS LIST

MODEL:
BP402LE

Note: Illustrations may differ from actual models due to design changes



⚠ WARNING
All repairs, adjustments and maintenance not described in the Operator's Manual must be performed by qualified service personnel.



Ref.	Part No.	Description	Ref.	Part No.	Description	Ref.	Part No.	Description
1.	530058344	Bolt-Lock	16.	530094085	Cap-Spark Plug	31.	490802189	Pulley-Starting
2.	572L0600	Nut-Nylon	17.	530094086	Terminal	32.	921442046	Spring-Return
3.	51123-179	Case-Fan	18.	920702113	Plug-Spark	33.	131652084	Pawl-Recoil Starter
4.	51125-112	Fan	19.	490062051	Boot	34.	315B0800	Nut-Hex (fine)
5.	530089324	Nut-Hex	20.	920712155	Grommet	35.	410B0800	W-Plain-S
6.	51123-178	Case-Fan	21.	920592233	Tube-6x7.4x300	36.	131692386	Plate-Recoil Starter
7.	36063-105	Cover-Fan	22.	920092218	Screw	37.	530058416	Grip-Recoil Starter
8.	412L0665	Screw-Socket	23.	922002019	Washer	38.	530058422	Screw
9.	470L0520	Screw-Tapping m5x20	24.	591012085	Reel- Starter Recoil	39.	130702064	Guide-Rope
10.	530089368	Isolator-Vibro Rubber	25.	921442038	Spring-Recoil	40.	591062117	Rope 3.8x850
11.	530058346	Bolt-Lock	26.	314R1000	Nut-Hex (fine)	41.	320992210	Case-Recoil Starter
12.	211712237	Assy-Ignition Coil	27.	920222147	Washer	42.	490882380	Starter-Recoil (incl.# 21-24, 35-40)
13.	530094080	Bolt	28.	210502290	Flywheel			
14.	920712077	Grommet	29.	920382078	Key			
15.	260112321	Wire-Lead	30.	920332010	Ring-Snap			

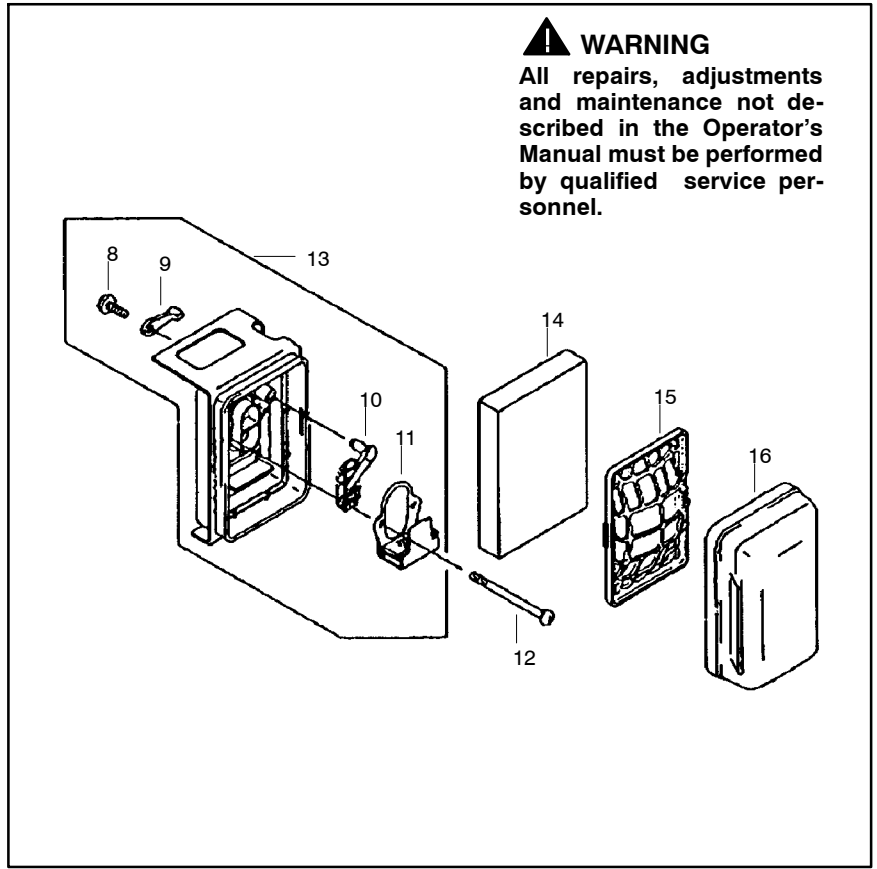
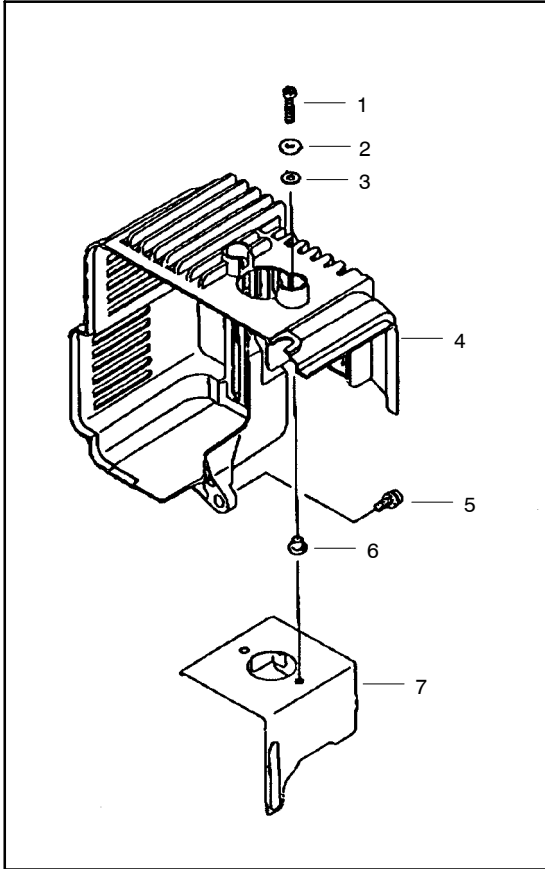
↗ = NEW PART NUMBER FOR THIS IPL

★ = REFER TO THE SERVICE REFERENCE INDICATED FOR MORE INFORMATION. (LOCATED AT END OF IPL)

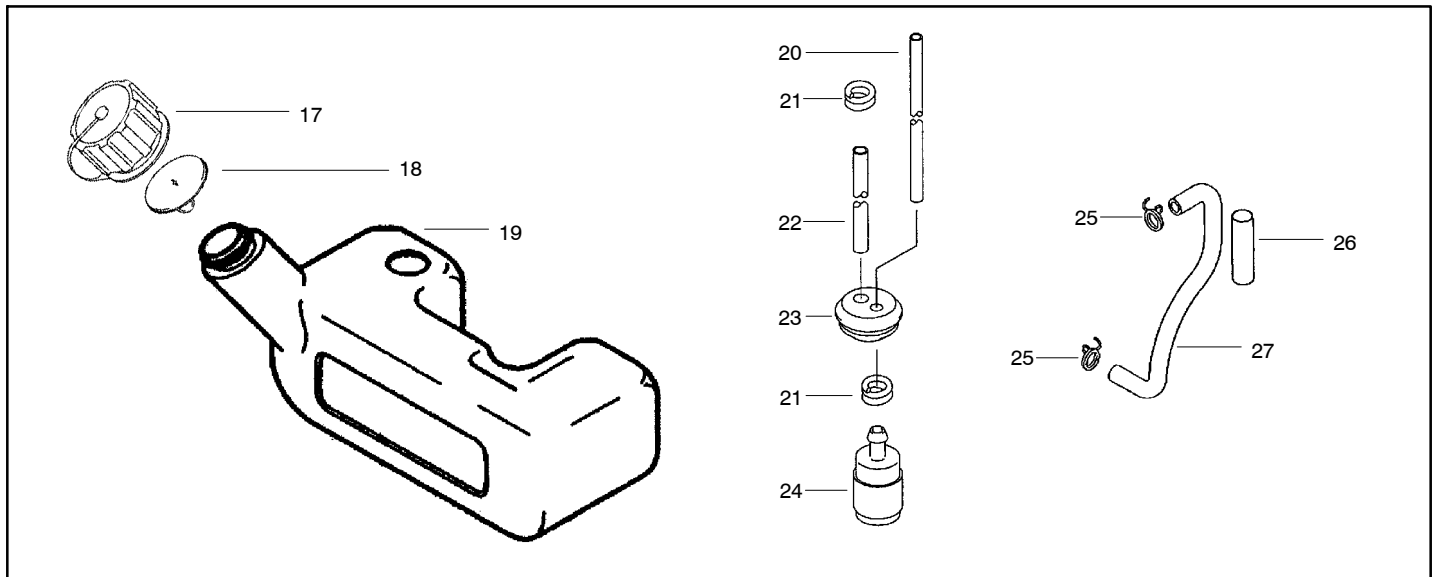
Poulan PRO® PARTS LIST

MODEL:
BP402LE

Note: Illustrations may differ from actual models due to design changes

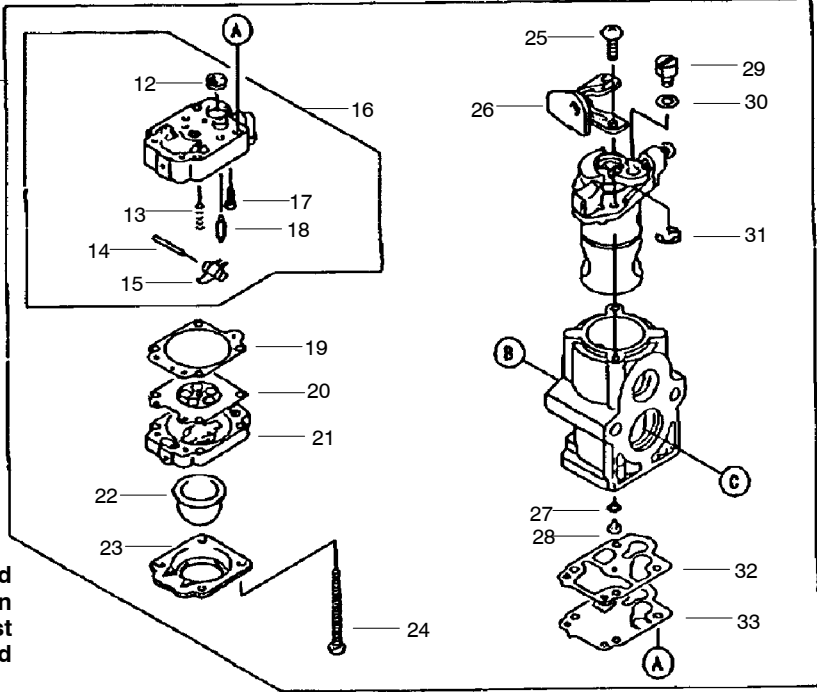
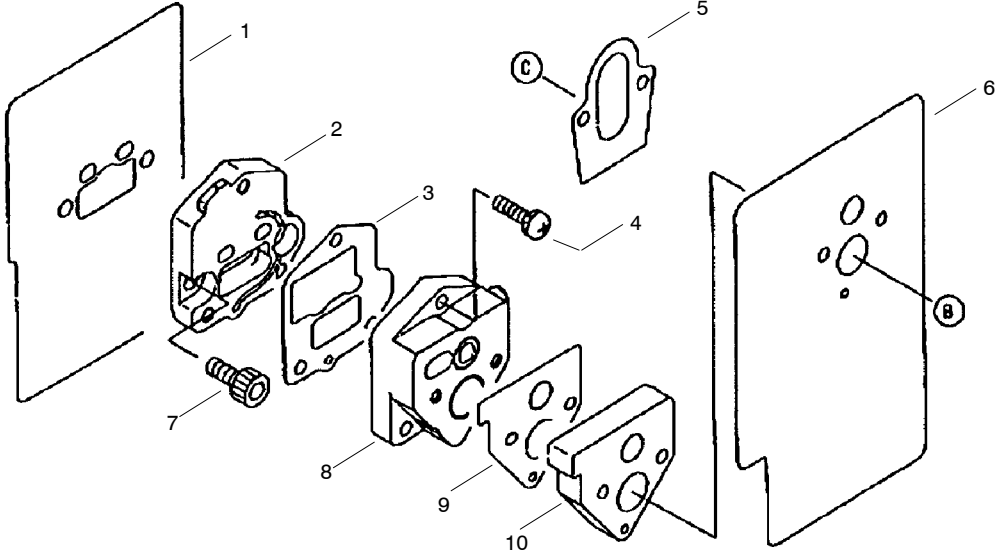


⚠ WARNING
All repairs, adjustments and maintenance not described in the Operator's Manual must be performed by qualified service personnel.



Ref.	Part No.	Description	Ref.	Part No.	Description	Ref.	Part No.	Description
1.	920022322	Bolt-5x20	11.	180202088	Baffle	21.	530058472	Clamp-Fuel Filter
2.	922002063	Washer-5.5x13.8x2	12.	920092461	Screw-5x65	22.	530058474	Tube 3x6x130
3.	920222157	Washer	13.	110382077	Assy-Air Filter Case	23.	530058471	Grommet-Tank
4.	490892529	Shroud-Engine	14.	110132190	Element-Air Filter	24.	530058470	Filter-Fuel
5.	920092285	Screw	15.	593662067	Grate	25.	921712068	Clamp
6.	160732197	Insulator	16.	110652091	Cap	26.	921912146	Tube-10x11x35
7.	490892517	Shroud-Engine	17.	510482078	Assy-Tank Cap	27.	921912145	Tube
8.	920092359	Screw-3x10	18.	491162064	Assy-Valve			
9.	131682463	Lever	19.	36066-113	Tank-Fuel			
10.	161262227	Valve	20.	530058473	Tube 3x5x250			

✓ = NEW PART NUMBER FOR THIS IPL ★ = REFER TO THE SERVICE REFERENCE INDICATED FOR MORE INFORMATION. (LOCATED AT END OF IPL)



⚠ WARNING
All repairs, adjustments and maintenance not described in the Operator's Manual must be performed by qualified service personnel.

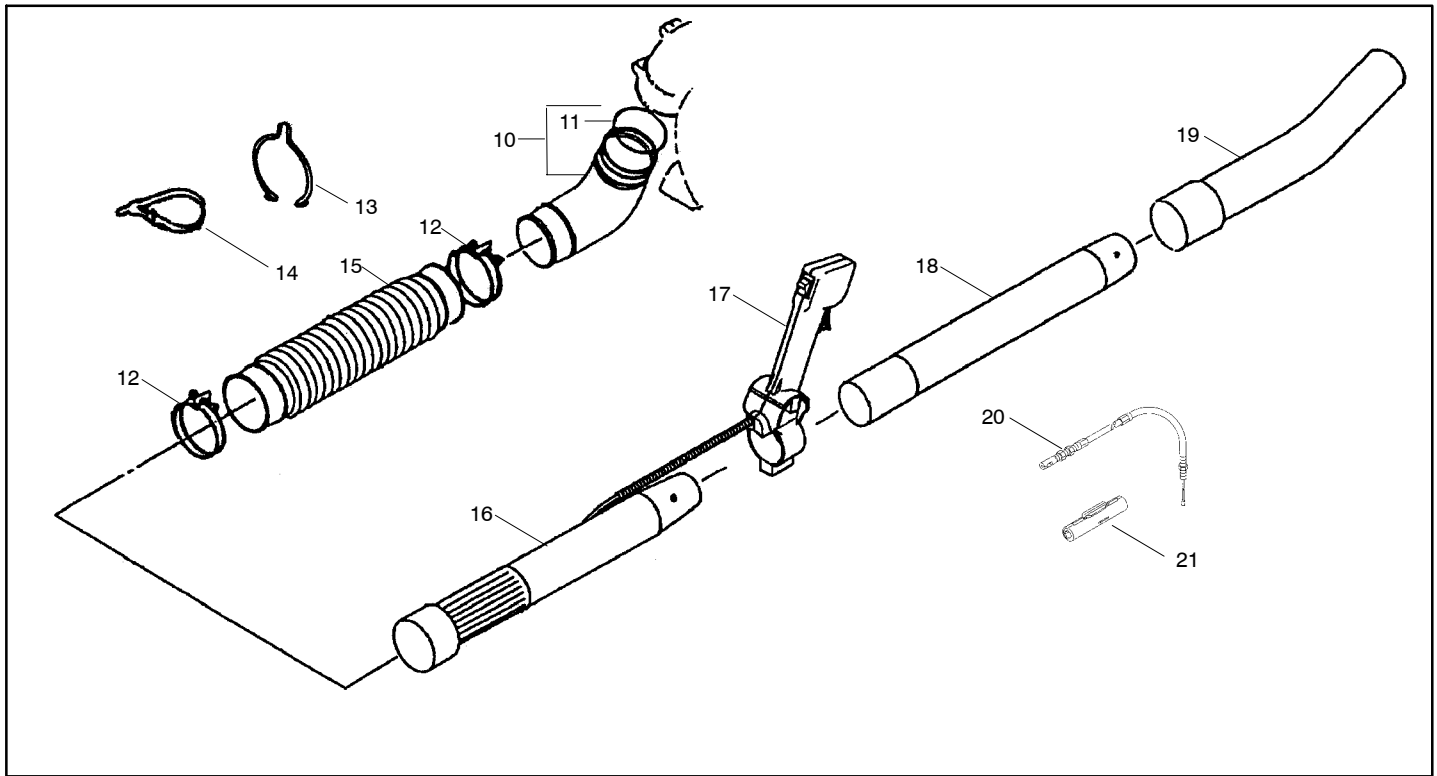
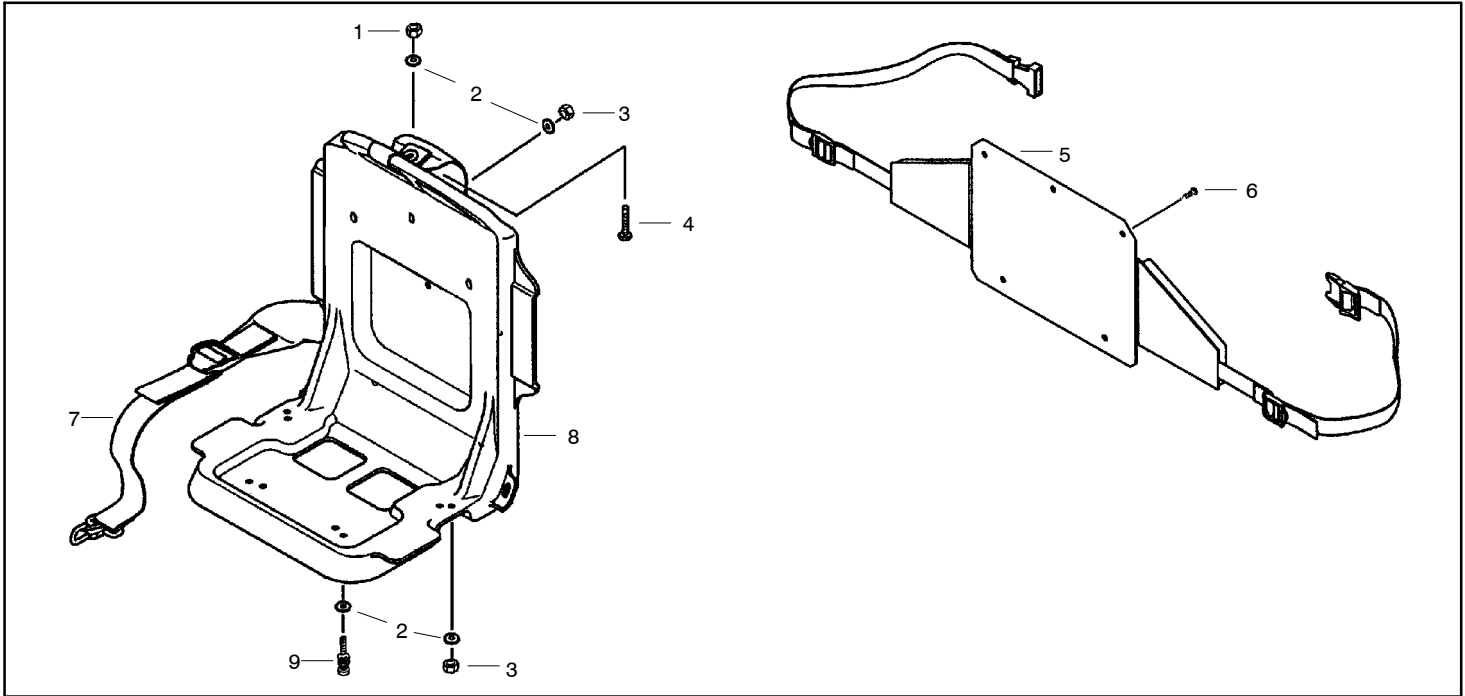
Ref.	Part No.	Description	Ref.	Part No.	Description	Ref.	Part No.	Description
1.	110612059	Gasket	12.	140432051	Filter	23.	530058458	Cover-Primer Pump
2.	132712120	Plate	13.	530058415	Spring	24.	530058459	Screw
3.	110602485	Gasket	14.	920432094	Pin	25.	530058438	Screw
4.	233B0520	Screw	15.	131682051	Lever	26.	530058437	Bracket
5.	110602492	Gasket	16.	161602101	Body	27.	920552147	O-ring
6.	110612064	Gasket	17.	920092336	Screw	28.	920632365	Jet-Main, #52
7.	120S0616	Bolt-Socket	18.	160302078	Valve-Float	29.	530058439	Arm
8.	120212051	Assy-Reed Valve	19.	110602111	Gasket	30.	530058440	Washer
9.	110602486	Gasket	20.	430282090	Diaphragm	31.	530058441	Ring-Snap
10.	920262349	Spacer	21.	530058456	Body	32.	110612054	Gasket
11.	150032793	Assy-Carburetor	22.	530058457	Pump-Priming	33.	530058446	Diaphragm

✓ = NEW PART NUMBER FOR THIS IPL ★ = REFER TO THE SERVICE REFERENCE INDICATED FOR MORE INFORMATION. (LOCATED AT END OF IPL)

Poulan PRO® PARTS LIST

MODEL:
BP402LE

Note: Illustrations may differ from actual models due to design changes



Ref.	Part No.	Description	Ref.	Part No.	Description	Ref.	Part No.	Description
1.	530089316	Nut-Nylon Flange	10.	530089363	Pipe-Elbow C.P.	19.	530089388	Pipe-Bend
2.	530089444	Washer	11.	530089212	O-Ring	20.	540122578	Cable-Throttle Case
3.	561L0600	Nut-Hex-U	12.	530089229	Band-Hose	21.	320992326	Case
4.	376L0616	Screw-Truss	13.	530089436	Clamp-Wire			
5.	91027-128	Pad-Knapsack	14.	530089230	Band-Wire			
6.	68027-107	Clip	15.	530089225	Pipe-Flex			Not Shown
7.	36063-196	Band-Shoulder	16.	530089386	Pipe-Base			
8.	36122-124	Frame-Knapsack	17.	71056-208	Assy-Throttle Lever		530163031	Manual
9.	375L0615	Screw m6x15	18.	530089387	Pipe-Middle			

✓ = NEW PART NUMBER FOR THIS IPL

* = REFER TO THE SERVICE REFERENCE INDICATED FOR MORE INFORMATION. (LOCATED AT END OF IPL)