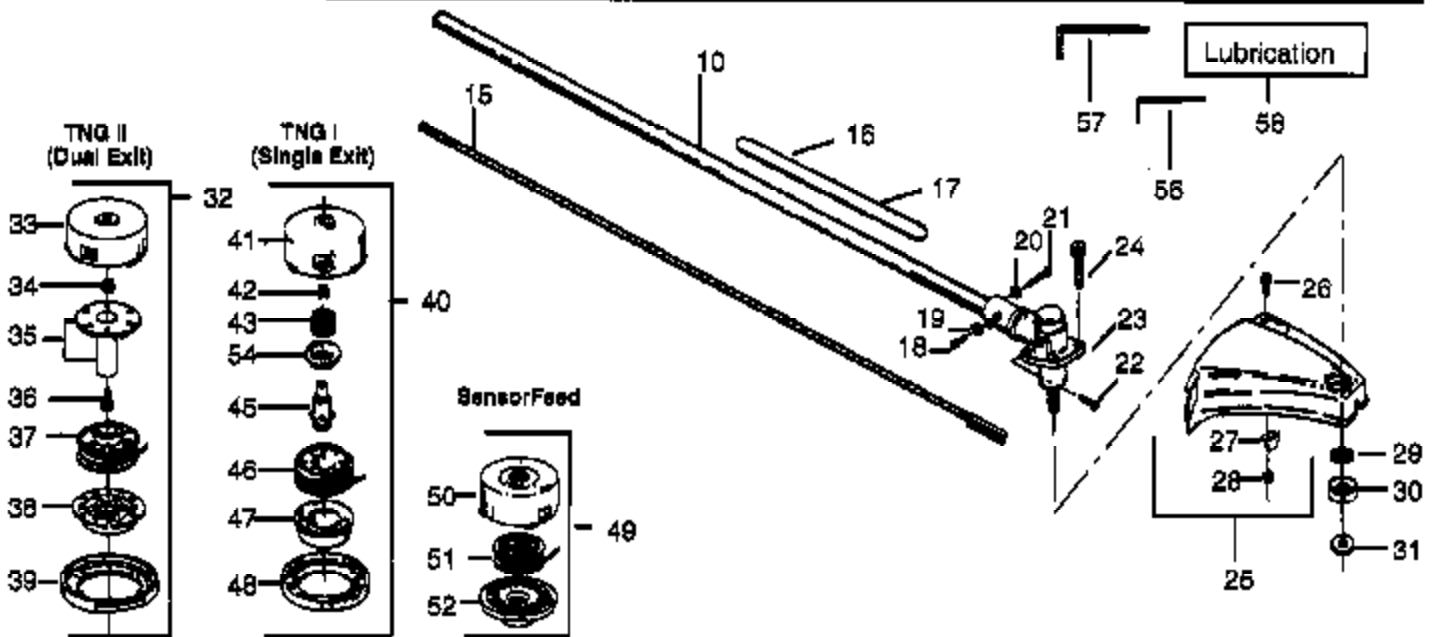
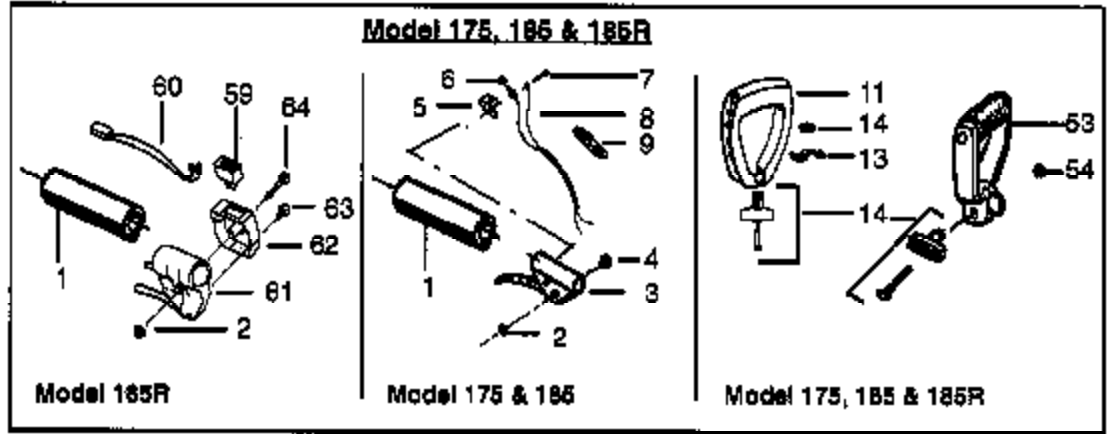


▲ WARNING
 All repairs, adjustments and maintenance not described in the Operator's Manual must be performed by qualified service personnel.

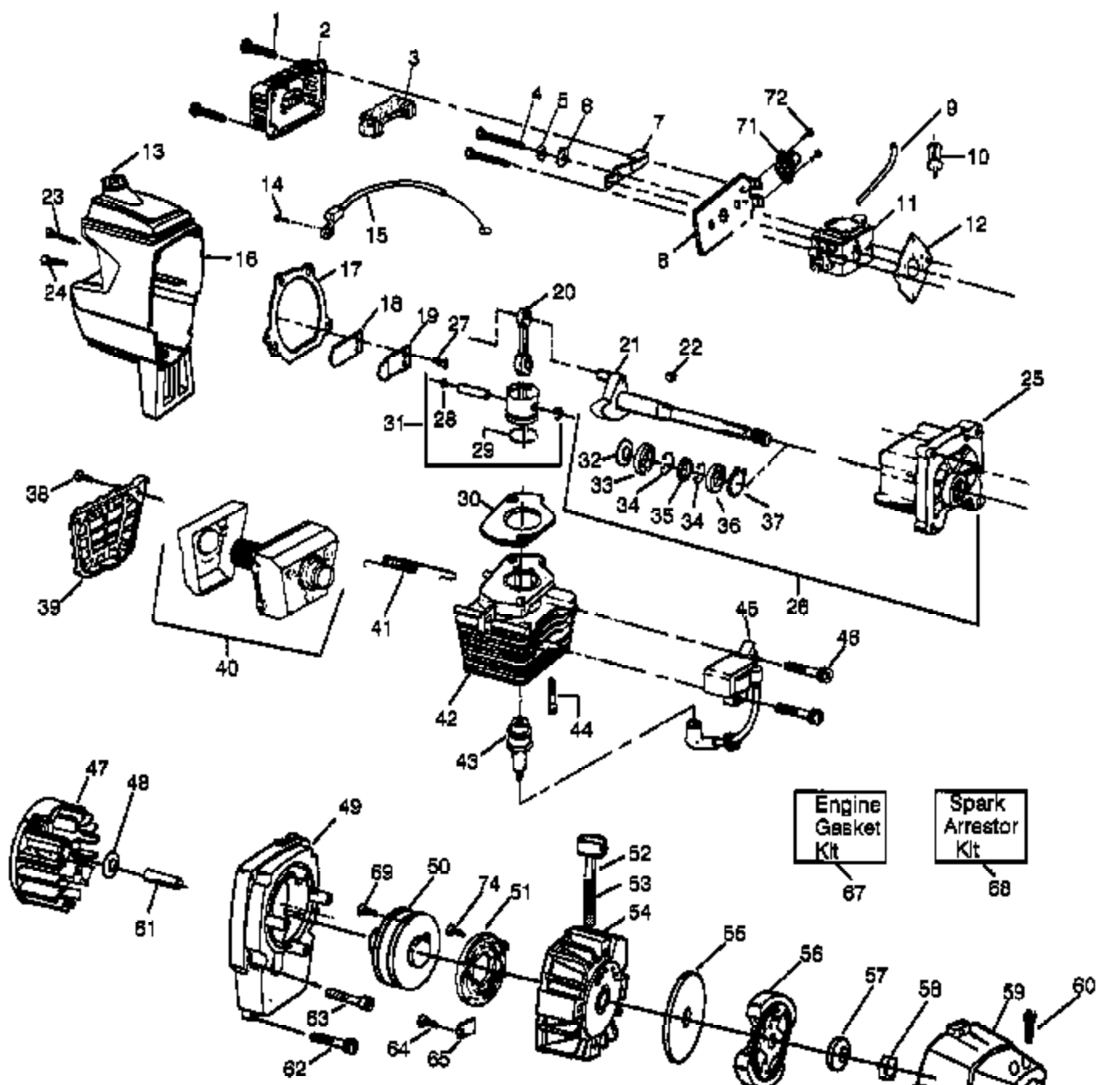
55— Optional Brush Blade Kit



| Ref # | Part Number | Qty | Description |
|-------|-------------|----------------------------|---|
| 1 | 530029445 | | Drive Shaft Grip |
| 2 | 530015768 | | Nut |
| 3 | 530010959 | | Throttle Lever Ass'y. w/Lock (Inc. 2 & 4) |
| 4 | 530027689 | | Spacer |
| 5 | 530029090 | | Switch Bracket |
| 6 | 530023575 | | Nut |
| 7 | 530015767 | | Screw |
| 8 | 530029076 | | Wire Harness Ass'y. |
| 9 | 530027893 | | Terminal Lock |
| 10 | 530094585 | | Drive Shaft |
| 10 | 530094566 | | Drive Shaft |
| 11 | 530014222 | | Handle |
| 12 | 530015610 | PP185 Gas Trim Page 2 of 6 | Nut |
| 13 | 530094742 | CUTTING HEAD & DRIVE SH | Clamp |
| 14 | 530069252 | | "T" Handle Ass'y. |
| 15 | 530094642 | | Drive Shaft Hsg. |
| 15 | 530094650 | | Drive Shaft Hsg. |
| 16 | 530029162 | | Decal - Upper |
| 17 | 530029163 | | Decal - Lower |
| 18 | 530094612 | | Screw |
| 19 | 530015328 | | Lockwasher |
| 20 | 530001642 | | Lockwasher |
| 21 | 530001711 | | Screw |
| 22 | 530016107 | | Screw |
| 23 | 530094568 | | Gear Box Ass'y. |
| 24 | 530016107 | | Screw |
| 25 | 530069256 | | Shield Kit Ass'y. (Inc. 26-28) |
| 26 | 530015037 | | Screw |
| 27 | 530094570 | | Line Limiter |
| 28 | 534235901 | | Locknut |
| 29 | 530094640 | | Seal |
| 30 | 530094639 | | Dust Cup |
| 31 | 530094571 | | Grass Washer |
| 32 | 952711517 | | Dual Exit Cutting Head (Inc. 33-39) |
| 33 | 530094931 | | Hub Ass'y. |
| 34 | 530094956 | | Spring |
| 35 | 530069312 | | Locking Plate Kit |
| 36 | 530015542 | | Screw |
| 37 | 952711518 | | Spool w/Line |
| 38 | 530094522 | | Release Button |
| 39 | 530094521 | | Cover |
| 40 | 952701643 | | Single Exit Cutting Head (Inc. 41-48) |
| 41 | 530094931 | | Hub Ass'y |
| 42 | 530093898 | | Line Saver |
| 43 | 530340007 | | Spring |
| 44 | 530092068 | | Spring Cap |
| 45 | 530095121 | | Drive Gear |
| 46 | 952701589 | | Spool w/Line |
| 47 | 530401183 | | Release Buttong |
| 48 | 530092133 | | Cover |
| 49 | 952701608 | | Single Exit Cutting Head (Inc. 50-52) |
| 50 | 530094557 | | Hub Ass'y |
| 51 | 952701607 | | Spool w/ Line |
| 52 | 530094494 | | Cover |
| 53 | 530010957 | | Handle |
| 54 | 530015197 | | Nut |

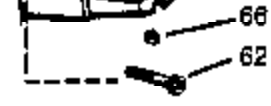
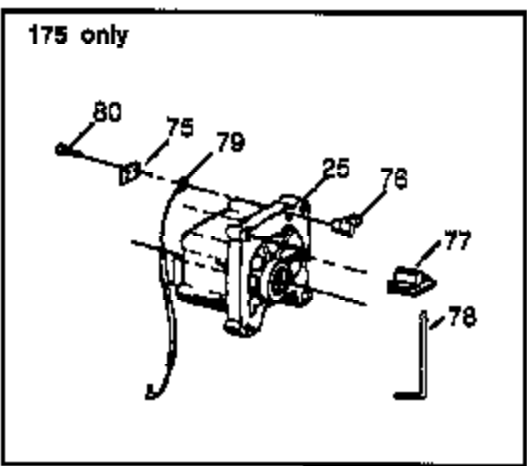
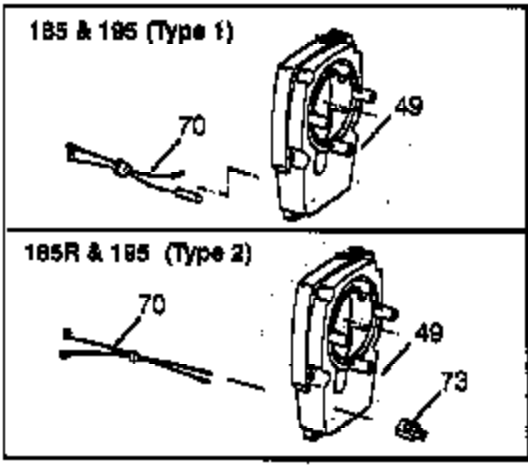
| Ref # | Part Number | Qty | Description |
|-------|-------------|-----|---------------------|
| 55 | 952701661 | | Brush Blade Kit |
| 56 | 530031111 | | Hex Wrench (5/32) |
| 57 | 530031098 | | Hex Wrench (3/16) |
| 58 | 952030139 | | Shaft Lubrication |
| 59 | 530036493 | | Rocker Switch |
| 60 | 530047160 | | Leadwire |
| 61 | 530014646 | | Ass'y Throttle Hsg. |
| 62 | 530036855 | | Switch Cover |
| 63 | 530015932 | | Screw (Short) |
| 64 | 530015933 | | Screw (Long) |

PP185 Gas Trimmer Page 3 of 6
CUTTING HEAD & DRIVE SH



Engine Gasket Kit
67

Spark Arrestor Kit
68



| Ref # | Part Number | Qty | Description |
|-------|-------------|-----|---|
| 1 | 530015773 | | Screw |
| 2 | 530027529 | | Air Filter Cover |
| 3 | 530027530 | | Air Filter |
| 4 | 530015849 | | Screw |
| 5 | 530015852 | | Spacer |
| 6 | 530015254 | | Wave Washer |
| 7 | 530038103 | | Choke Shutter |
| 8 | 530027527 | | Type 1 |
| 8 | 530037930 | | Type 2 & 3 |
| 9 | 530069247 | | Fuel Line |
| 9 | 530069571 | | Return Line 185R, 195 Type 2 |
| 10 | 530014362 | | Fuel Pick-up Ass'y. |
| 11 | 530035259 | | Type 1 (Type 195) |
| 11 | 530069651 | | Type 2 & 3 (WT-298B) |
| 12 | 530019156 | | Carburetor Gasket |
| 13 | 530014347 | | Fuel Cap Ass'y. |
| 14 | 530015775 | | Screw |
| 15 | 530037497 | | 175, 185 & 195 Type 1 |
| 15 | 530047040 | | 185R & 195 (Type 2) |
| 16 | 530027995 | | 175, 185 & 195 Type 1 |
| 16 | 530047087 | | 185R & 195 (Type 2) |
| 17 | 530019154 | | Gasket |
| 18 | 530027593 | | Reed |
| 19 | 530027594 | | Reed Stop |
| 20 | 530010960 | | Connecting Rod Ass'y. (Inc. Bearings) |
| 21 | 530010934 | | Crankshaft Ass'y. See Service Reference 1 |
| 22 | 530015126 | | Flywheel Key |
| 23 | 530015772 | | Screw |
| 24 | 530015771 | | Screw |
| 25 | 530014016 | | Crankcase Ass'y. (Inc. 33-36) |
| 26 | 530014015 | | Crankcase/Crankshaft Ass'y. (Inc.21,25,33-37) |
| 27 | 530016064 | | Screw |
| 28 | 530015162 | | Piston Pin Retainer |
| 29 | 530025875 | | Piston Ring |
| 30 | 530019178 | | Cylinder Gasket |
| 31 | 530069277 | | Piston Kit (Inc. 28, 29, Pin) |
| 33 | 530032103 | | Inner Bearing |
| 34 | 530015787 | | Retaining Ring |
| 35 | 530019158 | | Crankshaft Seal |
| 36 | 530032102 | | Outer Bearing |
| 37 | 530015789 | | Crankshaft Ret. Ring |
| 38 | 530015717 | | Screw |
| 39 | 530027781 | | Muffler Guard |
| 40 | 530069257 | | Muffler Kit |
| 41 | 530036409 | | Muffler Spring |
| 42 | 530012238 | | Type 1 & 2 |
| 42 | 530069628 | | Type 3 |
| 43 | 530030077 | | Type 1 & 2 (CJ-14) |
| 43 | 530030075 | | Type 3 (RCJ-8Y) |
| 44 | 530015239 | | Screw |
| 45 | 530039134 | | Ignition Module Kit |
| 46 | 530015128 | | Screw |
| 47 | 530039189 | | Flywheel Ass'y. |
| 48 | 530347987 | | Washer |
| 49 | 530027945 | | Fan Housing |
| 50 | 530069291 | | Starter Pulley (Inc.69) |

PP185 Gas Trip Page 5 of 6
ENGINE BLOCK & SHROUD

| Ref # | Part Number | Qty | Description |
|-------|-------------|------------------------------|--|
| 51 | 530029395 | | Starter Spring |
| 52 | 530027569 | | Starter Handle |
| 53 | 530069232 | | Rope Kit |
| 54 | 530014022 | | Pulley Hsg. Ass'y. |
| 55 | 530094189 | | Clutch Washer |
| 56 | 530069254 | | Clutch |
| 57 | 530015796 | | Washer |
| 58 | 530001733 | | Nut |
| 59 | 530014023 | | Clutch Housing |
| 60 | 530015767 | | Screw |
| 61 | 530027511 | | Spacer |
| 62 | 530015770 | | Screw |
| 63 | 530015769 | PP185 Gas Engine Page 6 of 6 | Screw |
| 64 | 530015496 | ENGINE BLOCK & SHROUD | Screw |
| 65 | 530027523 | | Pulley Retainer |
| 66 | 530015768 | | Locknut |
| 67 | 530069276 | | Engine Gasket Kit (Inc. 12, 17 & 30) |
| 68 | 952701612 | | Spark Arrestor Kit |
| 69 | 530016080 | | Screw-Pulley |
| 70 | 530027690 | | 185 & 195 (Type 1) |
| 70 | 530047145 | | 185R & 195 (Type 2) |
| 71 | 530038874 | | Primer Bulb Ass'y. Type 2 & 3 |
| 72 | 530016091 | | Screw-Type 2 & 3 |
| 73 | 530038205 | | Connector 185R & 195 (Type 2) |
| 74 | 530015882 | | Screw-Starter Spring Type 3 |
| 75 | 530027546 | | Switch Insulator |
| 76 | 530027545 | | Switch Ramp |
| 77 | 530038309 | | Switch Button |
| 78 | 530027959 | | Switch Spring |
| 79 | 530027547 | | Lead Wire |
| 80 | 530015780 | | Screw |
| 80 | | | , Instruction Decal Not Shown. |
| | 530029012 | | 175 Not Shown. |
| | 530037988 | | 185 & 195 Type 1 Decal (Not a serviceable part) Not Shown. |
| | 530038046 | | 185R & 195 (Type 2) Not Shown. |
| | 530047451 | | 185R Type 3 Not Shown. |
| | | | , Carton Contents Bag Not Shown. |
| | 530014056 | | 175 Not Shown. |
| | 530014013 | | 185 & 185R 195 Not Shown. |
| | 530014021 | | Type 1 Not Shown. |
| | 530047135 | | Type 2 Not Shown. |
| | | | , Operator's Manual Not Shown. |
| | 530067349 | | 175 Not Shown. |
| | 530082112 | | 185 Not Shown. |
| | 530083178 | | 185R Not Shown. |
| | 530082111 | | 195 Not Shown. |