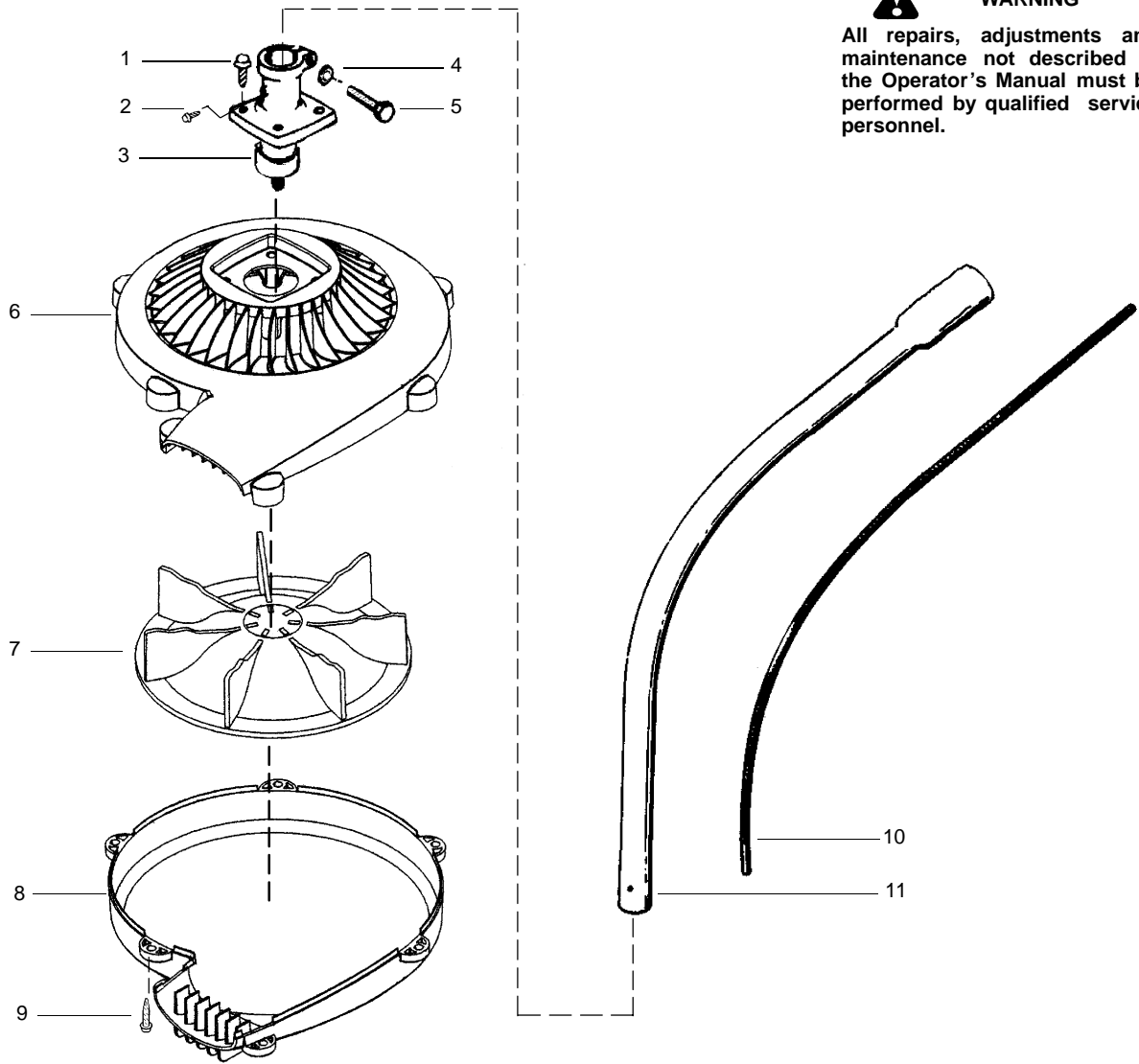


TYPE 1



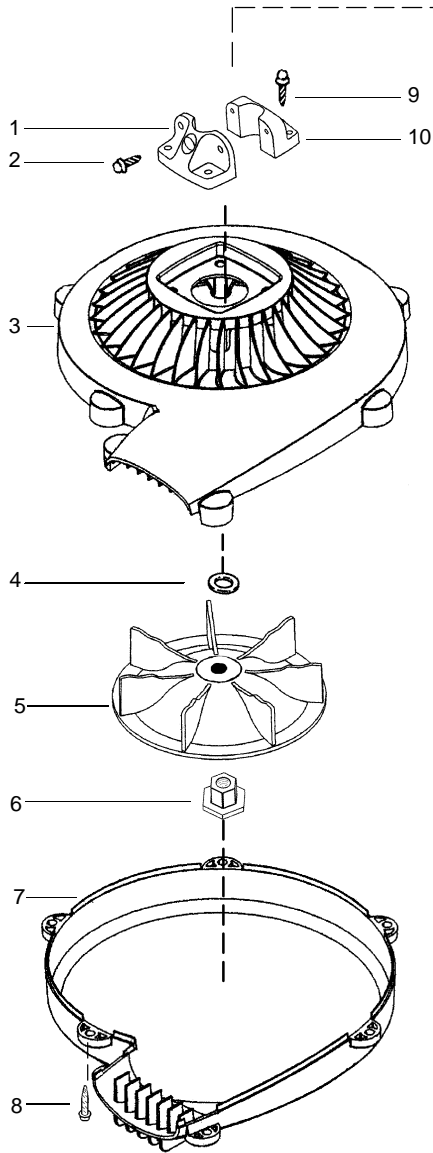
⚠ WARNING

All repairs, adjustments and maintenance not described in the Operator's Manual must be performed by qualified service personnel.

Ref.	Part No.	Description	Ref.	Part No.	Description	
1.	530016360	Screw (brg hsg/blwr)	Not Shown			
2.	530015518	Screw-Shaft Alignment				
3.	530094581	Assy-Bearing Hsg. (incl. # 2,4,5)				
4.	530092227	Washer-Lock (star)			530088053	Manual
5.	534828400	Bolt			530095894	Hanger-Attachment
6.	530095891	Blower-Scroll (upper)			530056340	Decal-Impeller Hsg.
7.	530055123	Impeller				
8.	530095892	Blower-Scroll (lower)				
9.	530016273	Screw				
10.	530095884	Flexshaft-Split Boom				
11.	530095990	Assy-Lower Driveshaft				

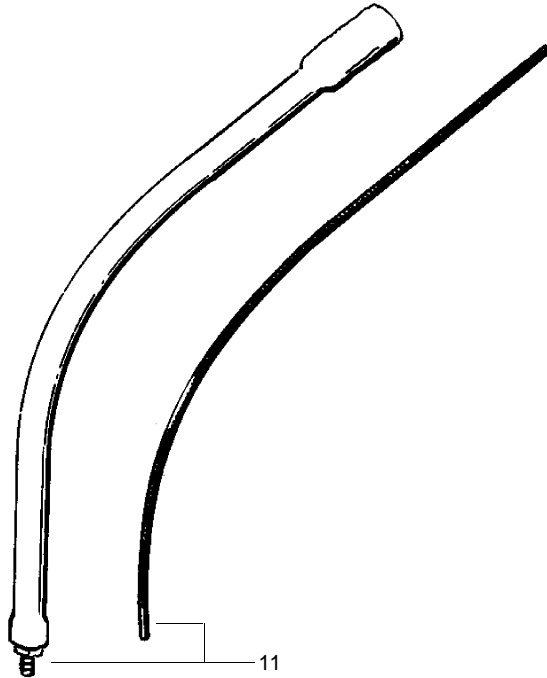
✓ = NEW PART NUMBER FOR THIS IPL ★ = REFER TO THE SERVICE REFERENCE INDICATED FOR MORE INFORMATION. (LOCATED AT END OF IPL)

TYPE 2



WARNING

All repairs, adjustments and maintenance not described in the Operator's Manual must be performed by qualified service personnel.



Ref.	Part No.	Description	Ref.	Part No.	Description	
1.	530096026	Clamp-Right	Not Shown			
2.	530015814	Screw				
3.	530096042	Hsg.-Blower (upper)				
4.	530016389	Washer				
5.	530055123	Impeller				
6.	530095893	Arbor-Impeller				
7.	530095892	Hsg.-Blower (lower)			530088053	Manual
8.	530016273	Screw			530095894	Hanger-Attachment
9.	530016179	Screw			530056340	Decal-Impeller Hsg.
10.	530096025	Clamp-Left				
11.	530071609	Assy-Lower Driveshaft (incl. flex)				

✓ = NEW PART NUMBER FOR THIS IPL

★ = REFER TO THE SERVICE REFERENCE INDICATED FOR MORE INFORMATION. (LOCATED AT END OF IPL)