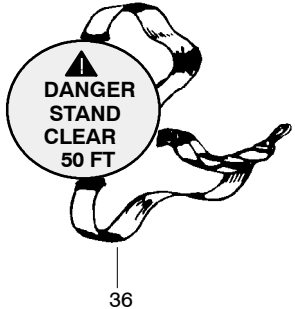
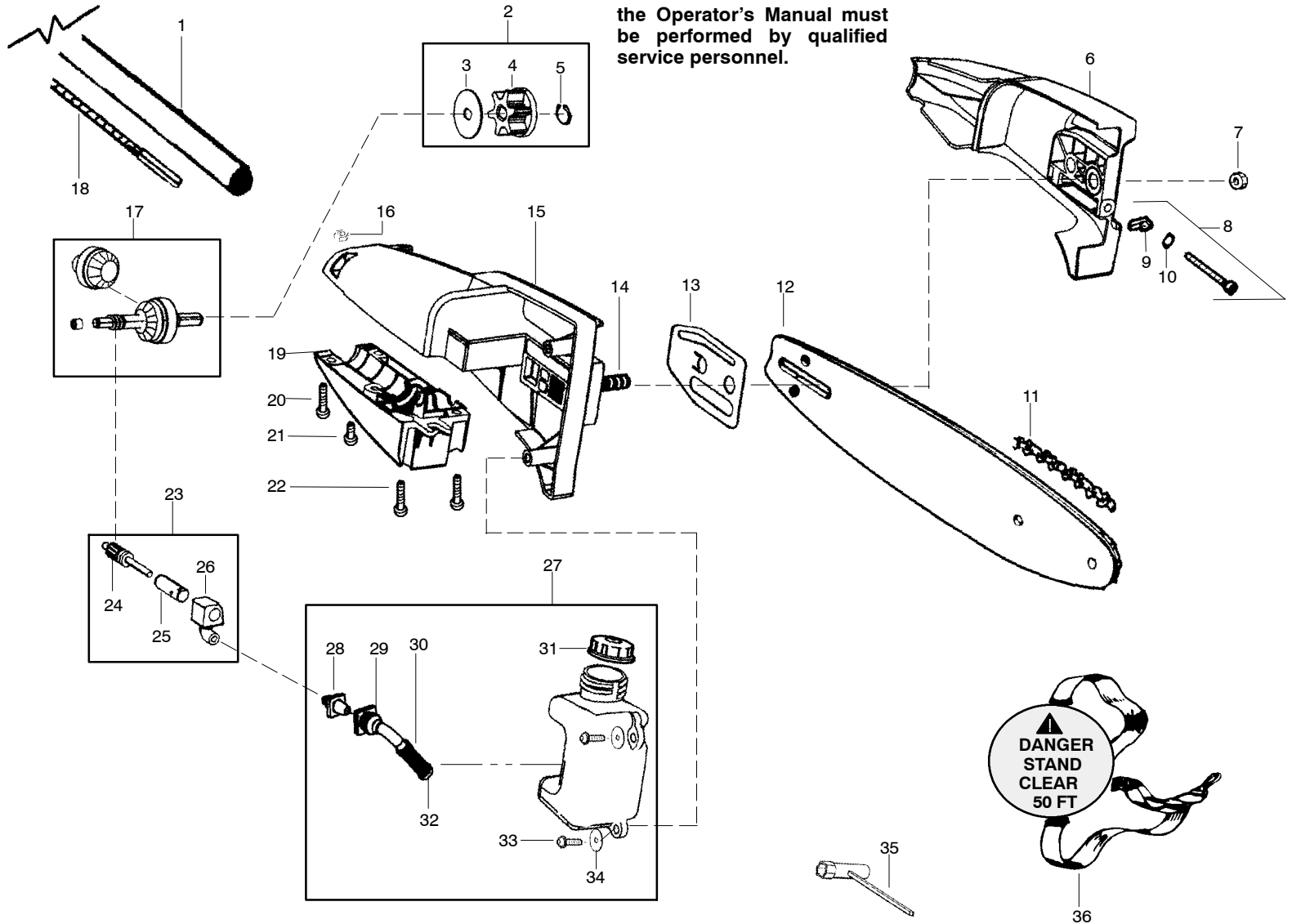


Note: Illustration may differ from actual model due to design changes

⚠ WARNING
All repairs, adjustments and maintenance not described in the Operator's Manual must be performed by qualified service personnel.



Ref.	Part No.	Description	Ref.	Part No.	Description	Ref.	Part No.	Description
1.	530096062	Assy-Driveshaft	15.	530056513	Hsg.-Upper (incl. #14)	29.	530021160	Intake-Oil Line
2.	530071647	Kit-Sprocket Assy. (incl. 3,4,5)	16.	530016284	Nut	30.	530037821	Filter-Oil
3.	530056521	Washer	17.	530071646	Kit-Gear Assy	31.	530053072	Cap-Oil
4.	530056520	Sprocket	18.	530056570	Flex shaft - lower	32.	530030189	Plug-Oil Filter
5.	530056563	Retainer-Sprocket	19.	530056514	Hsg.-Lower	33.	530015886	Screw
6.	530057100	Assy-Bar Clamp (incl. #8)	20.	530016312	Screw	34.	530015382	Washer
7.	530015917	Nut-Bar Mounting	21.	530015805	Screw-Align	35.	530031163	Wrench-Bar
8.	530069611	Kit-Bar Adjust (incl. 9,10)	22.	530015886	Screw	36.	530094417	Strap-Shoulder
9.	530015826	Pin-Bar Adjust	23.	530071645	Kit-Oil Assy (incl. 24,25,26)	Not Shown		
10.	530038593	Retainer-Bar Adjust	24.	530053764	Assy-Gear Plunger	↗	545133457	Manual
11.	530051524	Chain-8"	25.	530053765	Barrel		530095894	Att-Hanger
12.	530044908	Bar-8"	26.	530056522	Block-Oil		530055395	Clamp-Harness(lower)
13.	530056523	Plate-Bar pad	27.	530056528	Assy-Oil Tank (incl. 28,29,30,31,32)		530055392	Clamp-Harness(upper)
14.	530016133	Bolt-Bar	28.	530056524	Fitting-Oil Line		530015770	Screw-Harness clamp

↗ = NEW PART NUMBER FOR THIS IPL

* = REFER TO THE SERVICE REFERENCE INDICATED FOR MORE INFORMATION. (LOCATED AT END OF IPL)