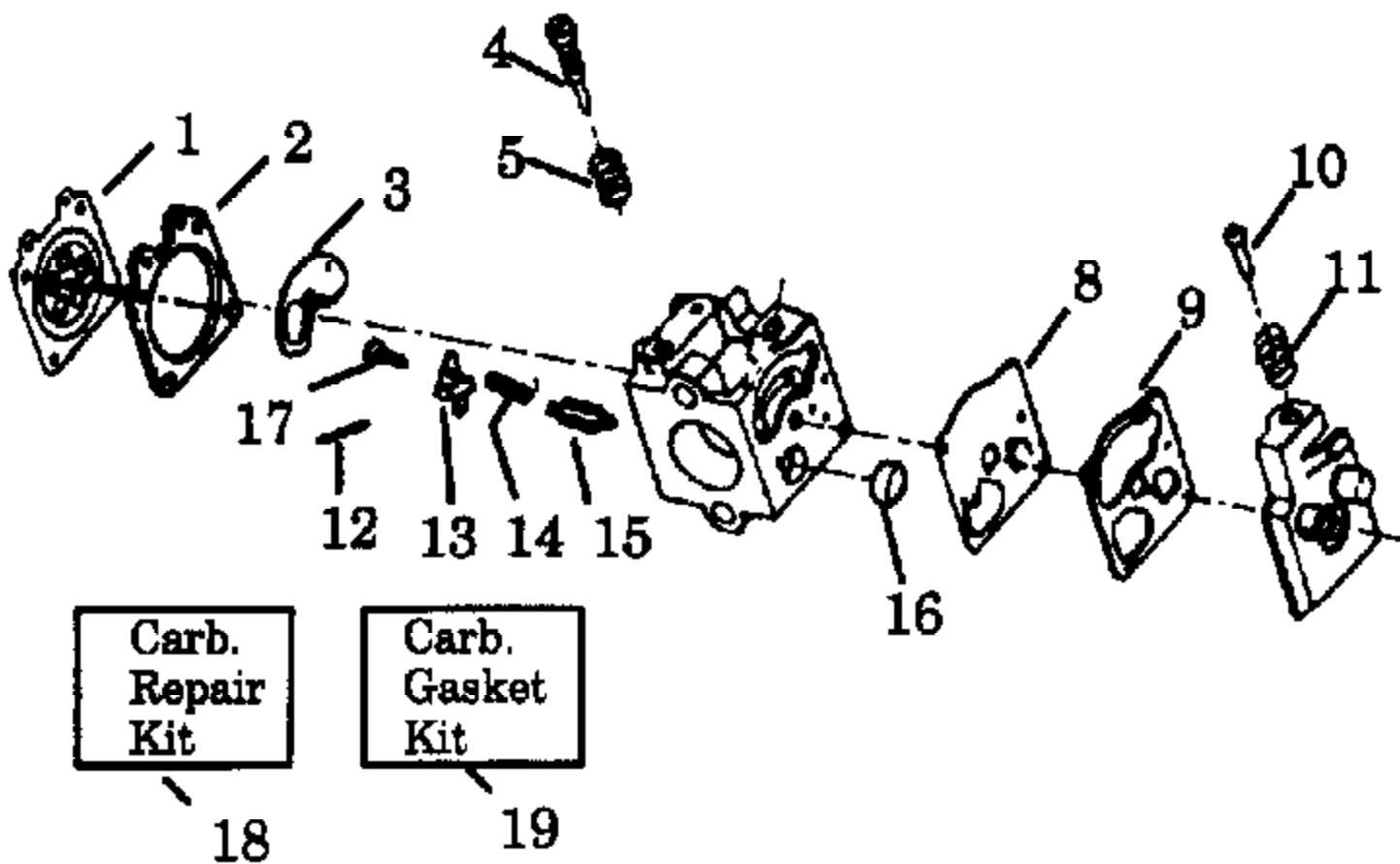


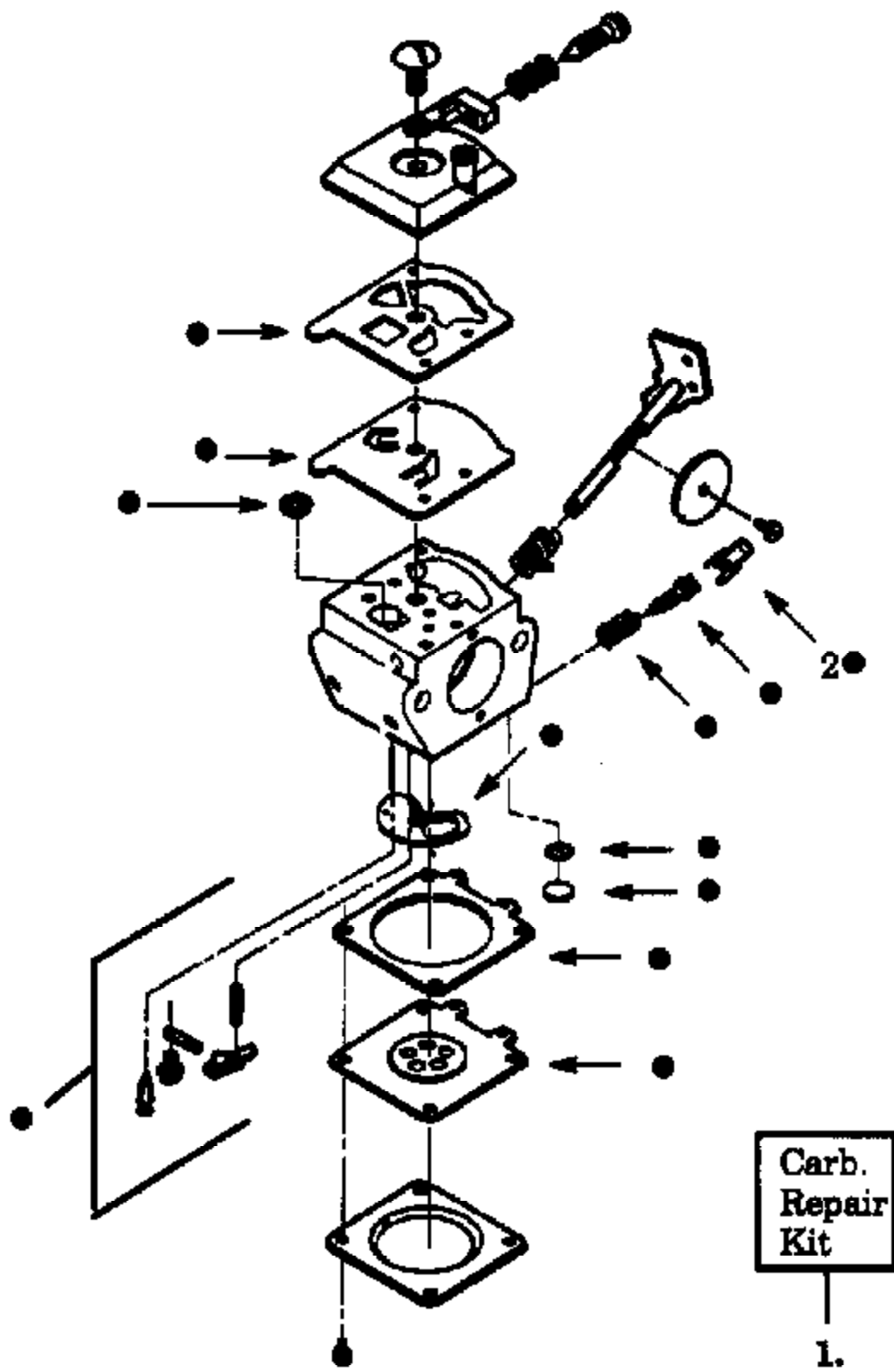
WA-215 #530-035308



| Ref # | Part Number | Qty | Description |
|-------|-------------|-----|---|
| 1 | 530035014 | | Metering Diaphragm |
| 2 | 530035001 | | Metering Diaphragm Gasket |
| 3 | 530035211 | | Circuit Plate Gasket |
| 4 | 530035212 | | Mixture Needle |
| 5 | 530035214 | | Mixture Needle Spring |
| 8 | 530035166 | | Fuel Pump Diaphragm |
| 9 | 530035164 | | Fuel Pump Gasket |
| 10 | 530035203 | | Idle Speed Screw |
| 11 | 530035208 | | Idle Speed Spring |
| 12 | 530035028 | | Metering Lever Pin |
| 13 | 530035031 | | Metering Lever |
| 14 | 530037330 | | Metering Lever Spring |
| 15 | 530035016 | | Inlet Needle Valve |
| 16 | 530035178 | | Fuel Inlet Screen |
| 17 | 530035016 | | Metering Lever Pin Screw |
| 18 | 530035264 | | Carb. Kwik Repair Kit (Inc. 1,2,3,8,9,12, 13,14,15,16,17) |
| 19 | 530035219 | | Carb. Gasket/Diaphragm Kit (Inc. 1,2,3,8,9) |

PT112 Gas Trip Page 2 of 9
 CARBURETOR WA-215

WA-218 #530-069647

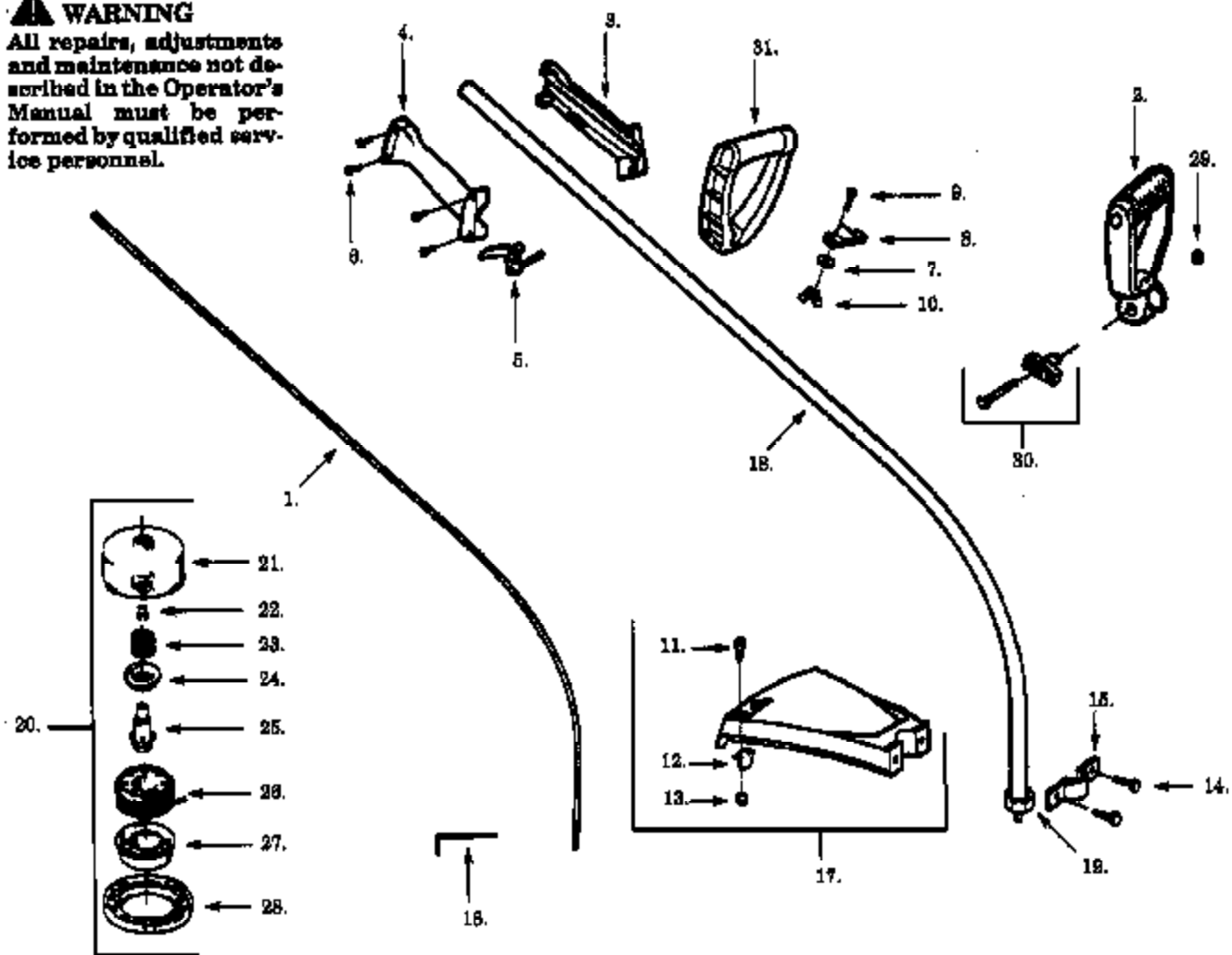


| Ref # | Part Number | Qty | Description |
|-------|-------------|-----|--|
| 1 | 530069668 | | Carburetor Repair Kit (DOT Indicates Contents) |
| 2 | 530038404 | | Limiter Cap |

PT112 Gas Trimmer Page 4 of 9
CARBURETOR WA-218

▲ WARNING

All repairs, adjustments and maintenance not described in the Operator's Manual must be performed by qualified service personnel.



| Ref # | Part Number | Qty | Description |
|-------|-------------|-------------------------------|---|
| 1 | 530095176 | | Drive Shaft |
| 2 | 530010957 | | Handle |
| 3 | 530036514 | | Throttle Hsg. (Left) |
| 4 | 530036515 | | Throttle Hsg. (Right) |
| 5 | 530036556 | | Throttle Lever |
| 6 | 530015966 | | Screw |
| 7 | 530092062 | | Washer |
| 8 | 530094742 | | Clamp |
| 9 | 530015820 | | Bolt |
| 10 | 530091373 | | Nut |
| 11 | 530015337 | | Screw |
| 12 | 530094570 | | Line Limiter |
| 13 | 534235901 | PT112 Gas Trimmer Page 6 of 9 | Locknut |
| 14 | 530016107 | DRIVE SHAFT & CUTTING H | Screw |
| 15 | 530093653 | | Bracket Shield |
| 16 | 530031111 | | Hex Wrench (5/32) |
| 17 | 530069249 | | Shield Kit Ass'y. (Incl. 11-14) |
| 18 | 530094891 | | Drive Shaft Hsg. |
| 19 | 530094543 | | Dust Cup |
| 20 | 952701574 | | Cutting Head Ass'y. (Incl. 21-28) |
| 21 | 530093896 | | Hub Ass'y. |
| 22 | 530093898 | | Line Saver |
| 23 | 530340007 | | Spring |
| 24 | 530092068 | | Spring Cap |
| 25 | 530093897 | | Drive Gear |
| 26 | 952701523 | | Spool w/Line |
| 27 | 530401183 | | Release Button |
| 28 | 530092133 | | Cover |
| 29 | 530015197 | | Nut |
| 30 | 530069252 | | "T" Handle Ass'y. |
| 31 | 530094673 | | Handle |
| | 530047068 | | Carton Contents Bag Not Shown. |
| 0 | 530081794 | | Operator Manual, Type 2 Not Shown. |
| 0 | 530083186 | | Operator Manual, Type 3 Not Shown. |
| 0 | 530029159 | | Operator Manual, Shaft Warning Decal Not Shown. |
| 0 | 530047450 | | Operator Manual, Instruction Decal Not Shown. |

| Ref # | Part Number | Qty | Description |
|-------|-------------|------------------------|---------------------------------|
| 1 | 530029395 | | Starter Spring |
| 2 | 530015775 | | Screw |
| 3 | 530027523 | | Retainer |
| 4 | 530015934 | | Screw |
| 5 | 530027569 | | Starter Handle |
| 6 | 530015810 | | Screw |
| 7 | 530019185 | | Cylinder Gasket |
| 8 | 952030078 | | Spark Plug |
| 9 | 530019194 | | Gasket |
| 10 | 530015941 | | Retainer |
| 11 | 530014663 | | Lead Wire |
| 12 | 530014662 | | Ground Wire |
| 13 | 530039149 | PT112 Gas Engine Assy. | Flywheel Assy. |
| 14 | 530039163 | POWER UNIT | Ignition Module |
| 15 | 530036145 | | Spacer |
| 16 | 530015954 | | Screw |
| 17 | 530015828 | | Washer |
| 18 | 530027953 | | Drive Coupling |
| 19 | 530014532 | | Crankshaft Ass'y. |
| 20 | 530069615 | | Connecting Rod Ass'y. |
| 21 | 530036404 | | Piston Ring |
| 22 | 530014861 | | Crankcase Ass'y. |
| 23 | 530032125 | | Inner Bearing |
| 24 | 530032124 | | Outer Bearing |
| 25 | 530019179 | | C'case Seal |
| 26 | 530015945 | | Retaining Ring |
| 27 | 530036578 | | Muffler Body |
| 28 | 530036577 | | Muffler Cover |
| 29 | 530038602 | | Muffler Baffle-Exit |
| 30 | 530036579 | | Muffler Baffle-First |
| 31 | 530029930 | | Muffler Spring |
| 32 | 530014852 | | Shroud & Tank Assy., Type 2 |
| 32 | 530047091 | | Shroud & Tank Assy., Type 2 & 3 |
| 33 | 530019181 | | Gasket |
| 34 | 530069564 | | Cylinder |
| 36 | 530016014 | | Screw |
| 37 | 530019223 | | Gasket |
| 38 | 530035308 | | Carburetor, Type 1 (WA-215) |
| 38 | 530069647 | | Carburetor, Type 2 & 3 (WA-218) |
| 39 | 530037390 | | Air Box, Type 1 |
| 39 | 530037971 | | Air Box, Type 2 & 3 |
| 40 | 530037326 | | Choke Plate |
| 41 | 530038102 | | Choke Shutter |
| 42 | 530015254 | | Wave Washer |
| 43 | 530015852 | | Choke Spacer |
| 44 | 530015887 | | Screw |
| 45 | 530037413 | | Filter Plate |
| 46 | 530037331 | | Air Filter Foam |
| 47 | 530037292 | | Air Filter Cover |
| 48 | 530015966 | | Screw |
| 49 | 530036744 | | Throttle Cable Ass'y. |
| 50 | 530015814 | | Screw |
| 51 | 530026119 | | Check Valve |
| 52 | 530029717 | | Element |
| 53 | 530029696 | | Retainer |
| 54 | 530069571 | | Fuel Line-Prim./Carb |

| Ref # | Part Number | Qty | Description |
|-------|-------------|-----|--|
| 55 | 530014347 | | Fuel Cap Ass'y. |
| 56 | 530014362 | | Fuel Pickup Ass'y. |
| 57 | 530069625 | | Engine Gasket Kit (Incl. 7,9,33,37) |
| 58 | 530014729 | | C'case & C'shaft Assy. (Incl. 10,19,22-26) |
| 59 | 530069572 | | On/Off Switch |
| 60 | 530015953 | | Screw |
| 61 | 530016072 | | Screw |
| 62 | 530015768 | | Locknut |
| 63 | 530014921 | | Fan Housing |
| 64 | 530069232 | | Rope Kit |
| 65 | 530016080 | | Screw |
| 66 | 530069400 | | Starter Pulley |
| 67 | 530069380 | | Spark Arrestor Kit |
| 68 | 530015162 | | Piston Pin Retainer |
| 69 | 530069402 | | Piston Kit (Incl. 21,68 & Pin) |
| 70 | 530069660 | | Muffler Kit |
| 71 | 530029939 | | Starter Dog |
| 72 | 530037730 | | Starter Spring |
| 73 | 530015882 | | Screw-Flywheel |
| 74 | 530038874 | | Primer Bulb Ass'y. Type 2 & 3 |
| 75 | 530016090 | | Screw-Primer Type 2 & 3 |
| 76 | 530069216 | | Fuel Line-Prim./Tnk. |
| 77 | 530069247 | | Fuel Line-Carb/Tnk. |

PT112 Gas Trimmer
POWER UNIT