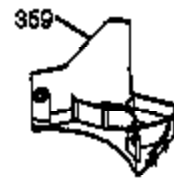
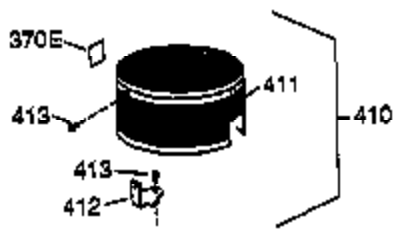
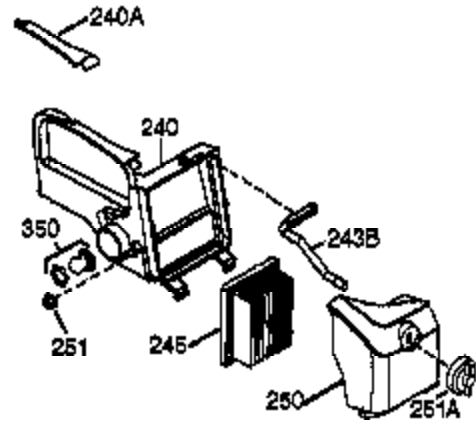
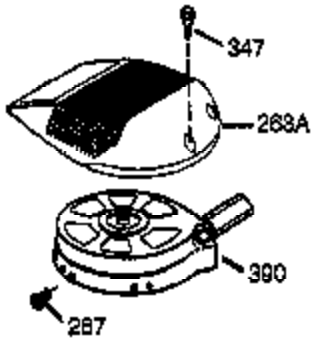
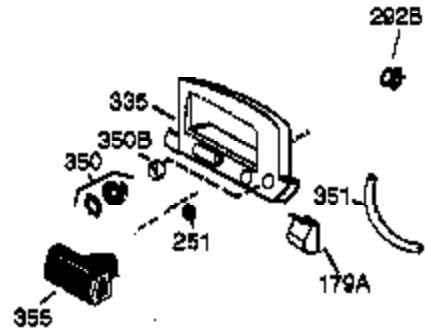


Ref #	Part Number	Qty	Description
1	36146	1	Cylinder (Incl. 2,10,20 & 125)
2	27652	2	Dowel Pin
6	36059	1	Breather Element
7	36005A	1	* Breather Cover & Gasket
9	590568	3	Screw, 10-24 x 3/4"
10	36002	1	Breather Valve Body
11	36003	1	Check Valve
12	36001	1	Breather Tube
14	28277	1	Flat Washer
15	36006	1	Governor Rod (Machined)
16	36008	1	Governor Lever
17	31335	1	Governor Lever Clamp
18	650548	1	Screw, 8-32 x 5/16"
19	36103	1	Governor Spring
20	36010	1	Oil Seal
25	36128	1	Blower Housing Baffle Ass'y.(Incl.195 )
26	650802	3	Screw, 1/4-20 x 5/8"
30	36127	1	Crankshaft
40	36073	1	Piston,Pin, Ring Set (Std.)
40	36074	1	Piston,Pin, Ring Set (.010 OS)
40	36075	1	Piston,Pin, Ring Set (.020 OS)
41	36070	1	Piston & Pin Ass'y.(Std.) (Incl. 43)
41	36071	1	Piston & Pin Ass'y.(.010 OS)(Incl.43)
41	36072	1	Piston & Pin Ass'y.(.020 OS)(Incl.43)
42	36076	1	Ring Set (Std.)
42	36077	1	Ring Set (.010 OS)
42	36078	1	Ring Set (.020 OS)
43	20381	2	Piston Pin Retaining Ring
45	36023A	1	Connecting Rod Ass'y. (Incl. 46)
46	32610A	2	Connecting Rod Bolt
48	36030	2	Valve Lifter
50	36031	1	Camshaft (MCR)
52	29914	1	Oil Pump Ass'y.
69	36032A	1	* Mounting Flange Gasket
70	36151	1	Mounting Flange (Incl. 72 thru 85)
72	36083	1	Oil Drain Plug
75	36010	1	Oil Seal
80	30574A	1	Governor Shaft
81	30590A	1	Washer
82	30591	1	Governor Gear Ass'y. (Incl.81)
83	36057	1	Governor Spool
85	36034	1	Idle Gear
86	650924	7	Screw, 1/4-20 x 1-9/16"
89	611154	1	Flywheel Key
90	611155	1	Flywheel
91	611156	1	Flywheel Fan
92	650815	1	Belleville Washer
93	650816	1	Flywheel Nut
100	34443A	1	Solid State Ignition
101	610118	1	Spark Plug Cover
103	651007	2	Screw, Torx T-15, 10-24 x 15/16"
110	36230	1	Ground Wire
119	36061	1	* Cylinder Head Gasket
120	36120A	1	Cylinder Head
125	36471	1	Exhaust Valve (Std.) (Incl. 151)
125	36472	1	Exhaust Valve (1/32" OS)
126	29314B	1	Intake Valve (Std.) (Incl. 151)
126	29315C	1	Intake Valve (1/32" OS)

Ref #	Part Number	Qty	Description
130	6021A	7	Screw, 5/16-18 x 1-1/2"
135	35395	1	Resistor Spark Plug (RJ19LM)
150	31672	2	Valve Spring
151	31673	2	Lower Valve Spring Cap
151A	40016	1	Intake Valve Seal
169	27234A	1	* Valve Spring Box Gasket
172	32755	1	Valve Spring Box Cover
174	30200	2	Screw, 10-24 x 9/16"
177	650925	2	Carburetor Mounting Stud
186	36009	1	Governor Link
187B	36035	1	* Carburetor Gasket/Air Baffle
195	610973	1	Terminal Ass'y.
202	36482	1	Compression Spring
203	31342	1	Compression Spring
204	650549	1	Screw, 5-40 x 7/16"
205	650989	1	Screw, 6-32 x 17/32"
210	27793	1	Conduit Clip
211	28942	1	Screw, 10-32 x 3/8"
239	36048	1	Air Cleaner Gasket
251	650928	2	Lock Nut, 1/4-20
255	36137	1	Control Plate
256	650983	2	Screw, 8-32 x 21/64"
260	36139	1	Blower Housing
261	650737	4	Screw, 1/4-20 x 1/2"
275	36107	1	Muffler
276	36043	1	Locking Plate
277	650927	2	Screw, 5/6-18 x 2-11/32"
285	34449A	1	Starter Cup
287	650926	4	Screw, 8-32 x 21/64"
290	30962	1	Fuel Line
292	26460	2	Fuel Line Clamp
305	36063	1	Oil Fill Tube
307	35499	1	"O" Ring
308	36040	1	Oil Fill Tube Clip
310	36134	1	Dipstick
350	632694	1	Primer Ass'y.
370A	36261	1	Lubrication Decal
380	632727	1	Carburetor (Incl. 187B & 239)
390	590702	1	Rewind Starter (NOTE: This engine could have been built with 590739 starter. Refer to the design of the rope pulley strength ribs for part identification. Individual starter parts do not interchange. Refer to service bulletin 116).
400	36062B	1	* Gasket Set (Incl. items marked PK in notes). Incl. part #'s 27234A (1), 36005A (1), 36032A (1), 36035 (1), 36048 (1), 36061 (1)
416	36085	1	Spark Arrestor Kit (Inc. 417)(Optional)
417	650760	1	Screw, 8-32 x 3/8" (Optional)
420	730225	1	4 Cycle Oil, SAE 30 (Quart)



Ref #	Part Number	Qty	Description
	7 36005A	1	* Breather Cover & Gasket
179A	36141	1	Retainer Clip
187B	36035	1	* Carburetor Gasket/Air Baffle
251	650928	2	Lock Nut, 1/4-20
263A	36133	1	Starter Grill
287	650926	4	Screw, 8-32 x 21/64"
292B	36144	1	Fuel Line Clamp
335	36131	1	Carburetor Intake Cover Ass'y.
350B	632647	1	Primer Bulb Filter
350	632694	1	Primer Ass'y.
351	36143	1	Primer Line
355	36136	1	Starter Handle
390	590702	1	Rewind Starter (NOTE: This engine could have been built with 590739 starter. Refer to the design of the rope pulley strength ribs for part identification. Individual starter parts do not interchange. Refer to service bulletin 116).